



# Datasheet

## solids – Big-Bag Filling Device

### BFA-01-Basic



Part of **HOSOKAWA ALPINE**

### Operating conditions:

Permissible operating pressure: atmospheric

Max. temperature.:40°C

Solid to bulk data:

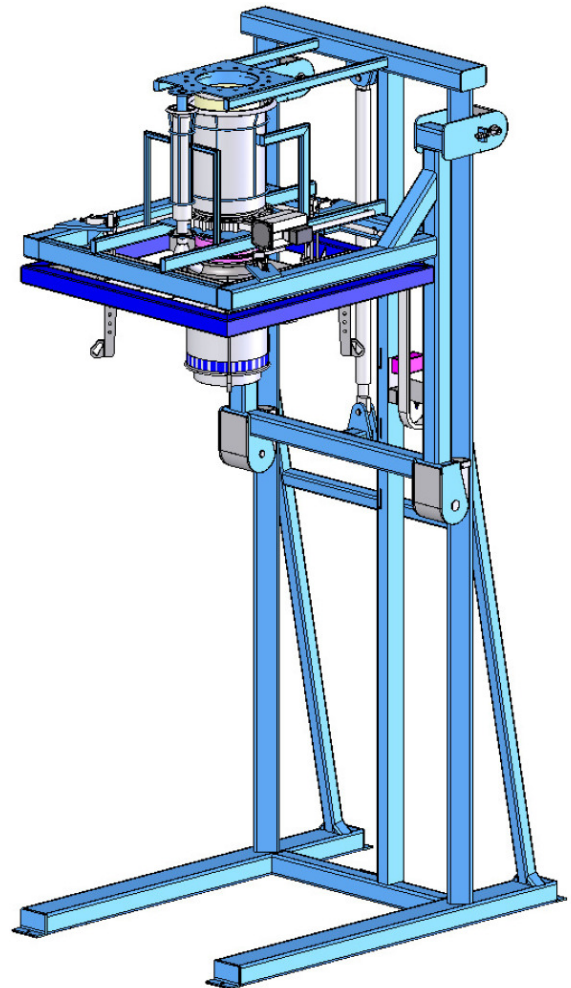
Particle size: powders till lumpy, every hardness

Fluidity: for products from good up to poor fluidity

Type	Width x Depth	Height	Big Bag Dimensions: Width x Depth x Height (incl. loops)	Weight
<b>BFA1200B01</b>	1690x2610 mm	1880 mm	max. 1200 x 1200 x 2200 mm min. 800 x 800 x 1100 mm	350 kg

### Basical version

- Inlet with flange made of carbon steel and bellow
- Dust-tight Big-Bag docking connection to the big-bag inlet hose. Welded steel construction, made of carbon steel. With manually operated torque clamp, outlet diameter D=450mm to place over the Big-Bag inlet hose, diameter of the big-bag inlet hose > 460 mm, max. 600 mm.
- Material inlet: disc valve type DKA
- 1 aspiration connection DN 80 for on-site dust extraction
- 4 suspension hooks for big-bag loops, adjustable to the position of the loops
- Frame made of square tube of carbon steel
- Support frame adjustable in height with hydraulic cylinder incl. electric pump for raising and lowering, 1500mm stroke, 1 initiator for the filling position, 1 initiator for the maximum permissible height of the position of the supporting frame, 1 initiator for the lower position to unmount the loops, with weighing frame and 3 integrated load cells for max. Big-Bag-weight 1000 kg
- Surface treatment of carbon steel parts: Chemical stripped, primer 40 µm zinc phosphate, top coat 40 µm 2-component polyurethane, RAL5012 blue



Freigabe:	MIGSA	SST
Datum:	Kurzzeichen:	Datum: 17.12.14 Le

Preliminary  
Änderungen vorbehalten



**solids solutions group**  
[www.solids.eu](http://www.solids.eu)



# Datasheet

## solids – Big-Bag Filling Device

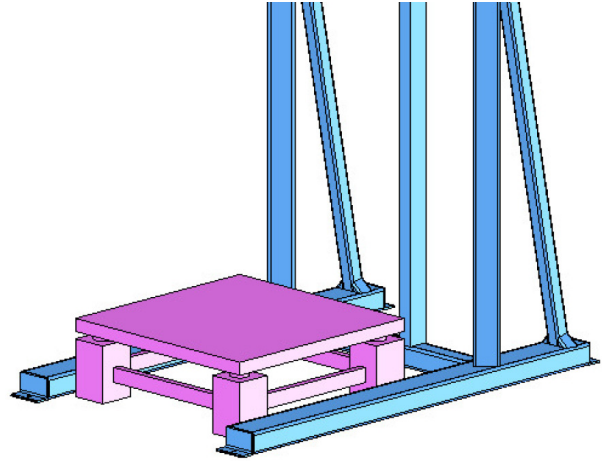
### BFA-01-Basic



Part of **HOSOKAWA ALPINE**

### Optionen:

1. Charging hopper and big-bag docking connection of stainless steel 1.4306
2. Charging hopper and big-bag docking connection of stainless steel 1.4404
3. Charging hopper and big-bag docking connection of stainless steel 1.4571
4. Another outlet diameter  $D=300$  mm to place over the Big-Bag inlet hose, diameter of the big-bag inlet hose  $> 310$  mm, max. 450 mm
5. Dust tight docking with inflatable sleeve incl. Pneumatic installation
6. Material inlet valve and closure as a pneumatically actuated slide gate
7. Gap-free throughout welding on stainless steel parts
8. Frame galvanized
9. Frame, load cells and raising cylinder for max. Big-Bag-weight 2000 kg
10. Pneumatically swivelling suspension hooks for big-bag loops
11. Vibrating table for compacting the product and displacing the air, vibration drive with 2 vibration motors 230 / 400V IP65
12. Suitable for zone 20 inside, zone 22 outside according to ATEX 94/9/EC
13. Suitable for zone 20 inside, zone 21 outside according to ATEX 94/9/EC



### Associated documents:

3D-part: Type.step (example: **BFA1200B01**.Step)

2D layout drawing: Type.dxf (example: **BFA1200B01**. dxf)

Selection guide: SG-BFA

Price list: PL-BFA-Basic

Drawing number list: Draw-No-List\_BFA-Basic



**solids solutions group**  
[www.solids.eu](http://www.solids.eu)