



Datasheet

solids – Big-Bag-Discharger

BAB-C-Basic



Operating conditions:

permissible operating pressure: atmospheric, product temperature max: 40° C

max./min. ambient temperature: -10 °C ≤ T ≤ 50 °C

bulk solids data:

powder form, granule form up to lumpy, any hardness,

limited flowing up to difficult flowing products

Type	Width x Depth	Height	Support Area Big-Bag	Weight	permiss. Big-Bag-Weight
BAB1500B01	1780 x 1780 mm	2090 mm	max. 1000 x 1000 mm min. 520 x 520 mm	600 kg	1000 kg

Basical version:

big-bag reception hopper D = 1500 mm, operating volume ≈ 1000 Liters,

welding construction – carbon steel

hopper with welded round upper part and brackets for support in the frame, rubber seal

membrane and suction connection

horizontally swinging bottom, consisting of: vessel end, cone, outlet with connection, min. outlet-

Ø 150 mm, bracket for vibrator

vibration motor 230/400V IP65

dusttight, smooth collar made of silicone white, FDA-approved, connects the swinging bottom with the fixed hopper welding ring

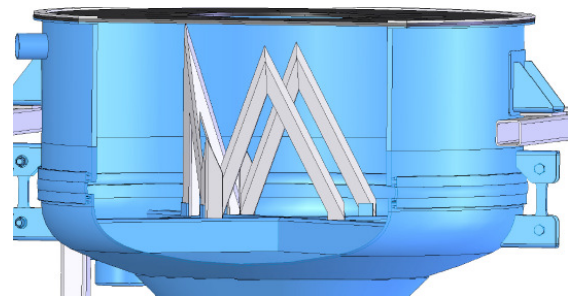
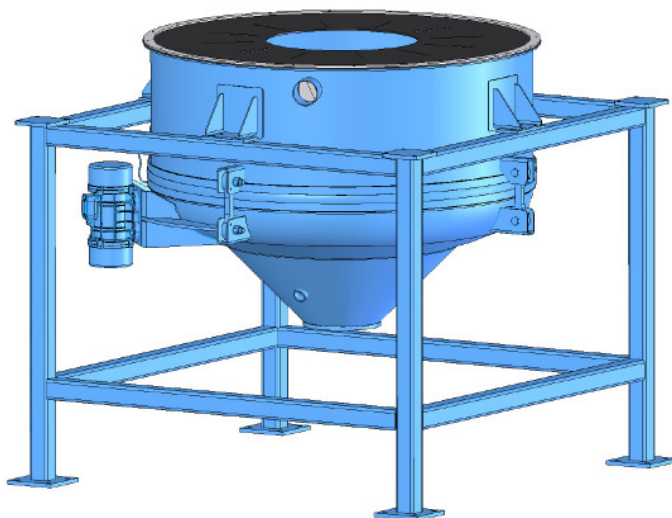
anti-fall and swinging elastic hanger assembly by breaking-safe hangers made of carbon steel, galvanised

knives for cutting the big-bag open made of carbon steel, bolted in the vibration bottom, replaceable

lower frame support made of carbon steel square pipe, suitable for earthquake zone 0

surface treatment of carbon steel parts: with chemical descaling,

base painting 40 µm zinc-phosphate, final painting 40 µm 2-components-polyurethan, RAL5012 blue



Knives for cutting the big-bag open

approval	MIGSA	SST	Mr. Linder
date:	sign:	date:	sign:

Preliminary
Modifications reserved



solids solutions group
www.solids.eu

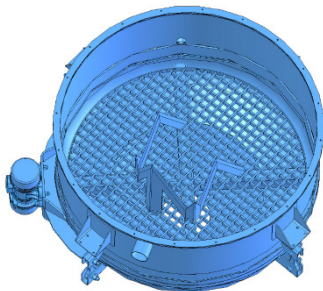


Datasheet solids – Big-Bag-Discharger BAB-C-Basic

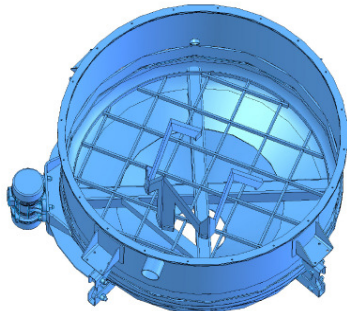


Options:

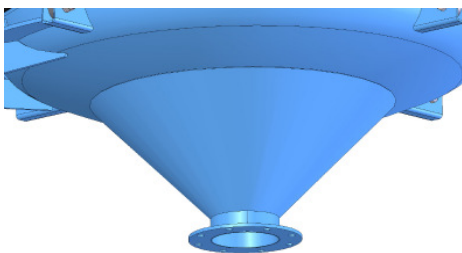
1. permissible big-bag weight 1500 kg
2. permissible big-bag weight 1900 kg
3. deviant of min. outlet-Ø: larger Ø200, 250, 300, 350, 400, 500 mm with corresponding height
4. with vibrating grate for breaking agglomerates, hole size 40x40mm
7. receiving hopper 1,5 m³



5. with vibrating grate for breaking agglomerates, hole size 200x200mm



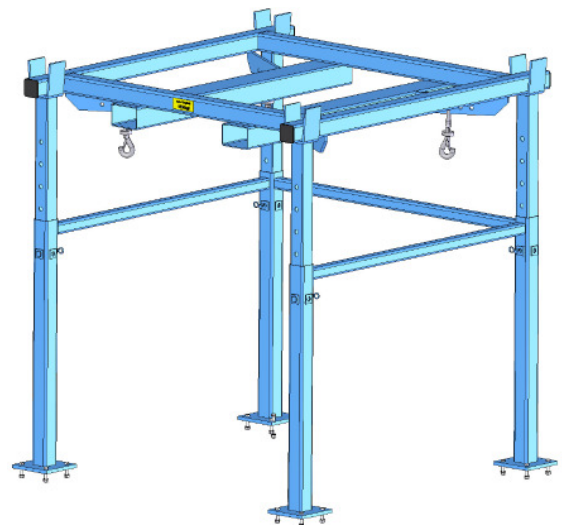
6. outlet with flange PN10 or PN6



8. receiving hopper 2 m³

9. lower frame support up to H = 1500 mm made of carbon steel

10. upper frame support, with adjustable height and lifting cross joint for big-bag-setting by a fork lifter

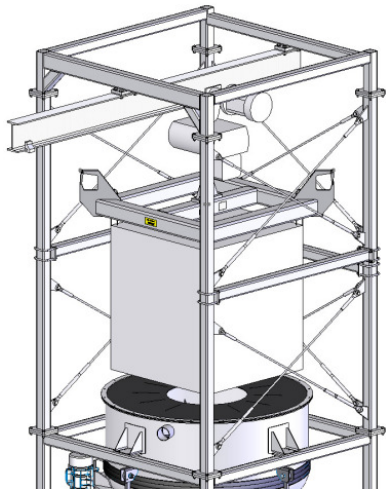




Datasheet solids – Big-Bag-Discharger BAB-C-Basic

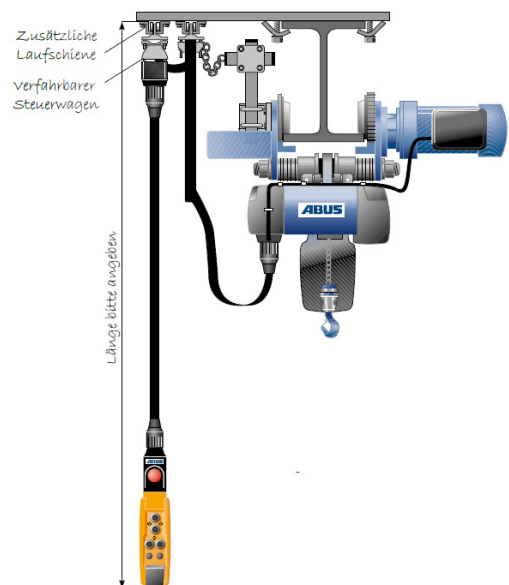


- 11. upper frame support for big-bag-setting, with crane rail, chain hoist and lifting cross joint, for big-bag weight max. 1000 kg, chain hoist separately specified, lifting unit and horizontal drive electrically activated, with current supply and multi-button pendant switches



- 12. upper frame support for big-bag-setting, with crane rail, chain hoist and lifting cross joint, for big-bag weight max. 1500 kg, chain hoist separately specified, lifting unit and horizontal drive electrically activated, with current supply and multi-button pendant switches
- 13. upper frame support for big-bag-setting, with crane rail, chain hoist and lifting cross joint, for big-bag weight max. 1900 kg, chain hoist separately specified, lifting unit and horizontal drive electrically activated, with current supply and multi-button pendant switches
- 14. lifting cross with cover for the hopper
- 15. suitable for zone 20 inside and zone 22 outside acc. ATEX 2014/34/EU without electrical chain hoist and multi-button pendant switches
- 16. suitable for zone 20 inside and zone 2 outside acc. ATEX 2014/34/EU without electrical chain hoist and multi-button pendant switches

- 17. electrical chain hoist and multi-button pendant switches for zone 22
- 18. electrical chain hoist and multi-button pendant switches for zone 2
- 19. electrical chain hoist and multi-button pendant switches for zone 21
- 20. unbalanced motor for zone 21
- 21. unbalanced motor for zone 2
- 22. unbalanced motor for zone 1
- 23. electrical motor stopp device for assembly in the control cabinet
- 24. wireless remote control for electrical chain hoist without ATEX
- 25. wireless remote control for electrical chain hoist for zone 22
- 26.1 4 weighing modules made of galvanised carbon steel with load cells, Ex-free. The modules are used for exact force leading and for fixing the construction, with integrated lift up security.
- 26.2 4 weighing modules made of galvanised carbon steel with load cells, suitable for all Ex-zones. The modules are used for exact force leading and for fixing the construction, with integrated lift up security
- 27. additional rail for multi-button pendant switches with movable control trolley

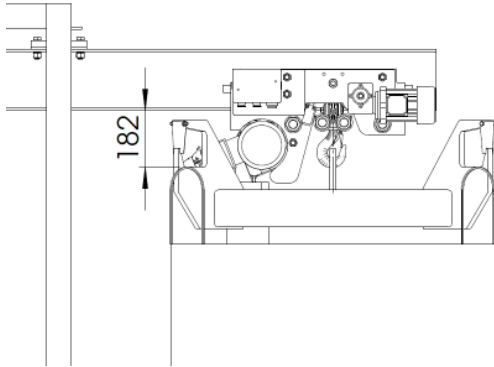




Datasheet solids – Big-Bag-Discharger BAB-C-Basic



- 28. suitable for earthquake zone 1 + 2
- 29. suitable for earthquake zone 3
- 30. min. ambient temperature: -20 °C
- 31. special chain hoist incl. electric trolley with ultra low headroom



Related documents:

3D-Part: Type.step (example : **BAB1500B01** . Step)

2D-planning drawing: Type.dxf (example: **BAB1500B01** . dxf)

selection criteria: SG-BAB

pricelist: PL- BAB-Messer -Basic

list of drawing numbers: Draw-No-List_ BAB-Messer -Basic



solids solutions group
www.solids.eu