



# Datasheet

## solids – Big-Bag-Discharger

### BAB-C-Clean



### Operating conditions:

permissible operating pressure: atmospheric, product temperature max: 40° C

max./min. ambient temperature: -10 °C ≤ T ≤ 50 °C

bulk solids data:

powder form, granule form up to lumpy, any hardness,

limited flowing up to difficult flowing products

Type	Width x Depth	Height	Support Area Big-Bag	Weight	permiss. Big-Bag-Weight
<b>BAB1500C01</b>	1780 x 1780 mm	2090 mm	max. 1000 x 1000 mm min. 520 x 520 mm	600 kg	1000 kg

### Basical version:

big-bag reception hopper D = 1500 mm, operating volume ≈ 1000 Liters,

welding construction – stainless steel 1.4306 (DIN) / 304L (AISI)

hopper with welded round upper part and brackets for support in the frame, rubber seal membrane and suction connection

horizontally swinging bottom, consisting of: vessel end, cone, outlet with connection, min. outlet-Ø 150 mm, bracket for vibrator

vibration motor 230/400V IP65

dusttight, smooth collar made of silicone white, FDA-approved, connects the swinging bottom with the fixed hopper welding ring

anti-fall and swinging elastic hanger assembly by breaking-safe hangers made of carbon steel, galvanised

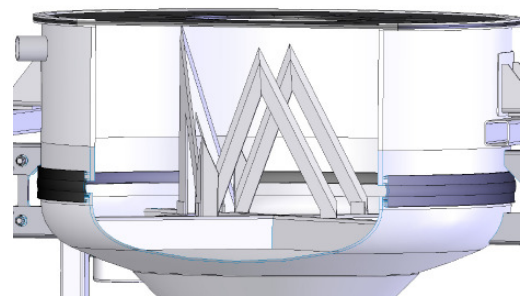
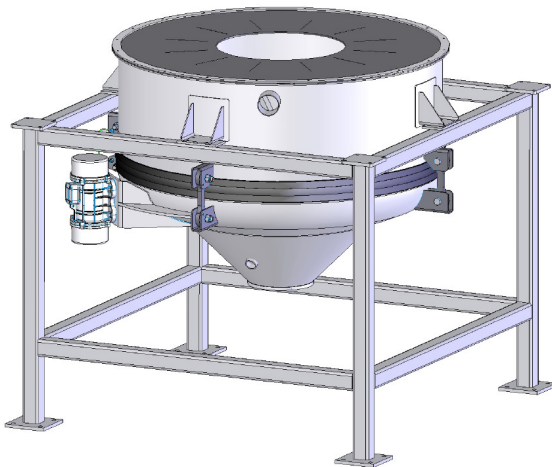
knives for cutting the big-bag open made of stainless steel 1.4306 (DIN) / 304L (AISI), bolted in the vibration bottom, replaceable

lower frame support made of carbon steel square pipe, suitable for earthquake zone 0

surface treatment of stainless steel parts: pickled or brushed and passivated

surface treatment of carbon steel parts: with chemical descaling,

base painting 40 µm zinc-phosphate, final painting 40 µm 2-components-polyurethan, RAL5012 blue



Knives for cutting the big-bag open

approval	MIGSA	SST	Mr. Linder
	date: sign:	date: sign:	date: sign:

Preliminary  
Modifications reserved



**solids solutions group**  
[www.solids.eu](http://www.solids.eu)

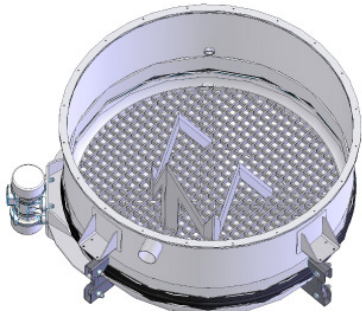


# Datasheet solids – Big-Bag-Discharger BAB-C-Clean

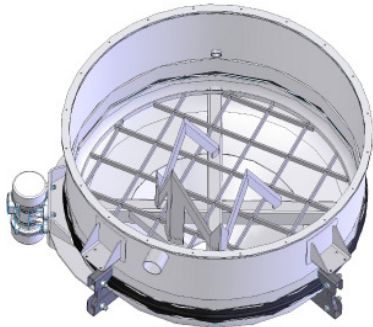


## Options:

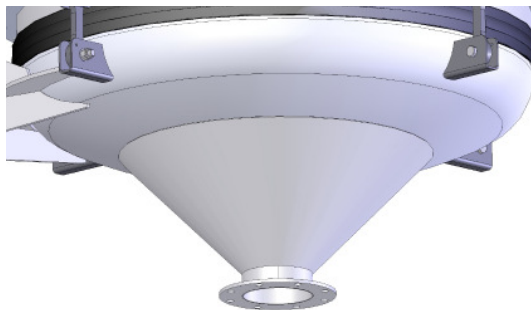
1. permissible big-bag weight 1500 kg
2. permissible big-bag weight 1900 kg
3. deviant of min. outlet-Ø: larger Ø200, 250, 300, 350, 400, 500 mm with corresponding height
4. with vibrating grate for breaking agglomerates, hole size 40x40mm
7. receiving hopper 1,5 m<sup>3</sup>
8. receiving hopper 2 m<sup>3</sup>



5. with vibrating grate for breaking agglomerates, hole size 200x200mm



6. outlet with flange PN10 or PN6



9. lower frame support up to H = 1500 mm made of carbon steel

10. frame and frame-options galvanised

11. hopper and knives made of stainless steel 1.4404 (DIN) / 316L (AISI), hangers made of carbon steel, galvanised

12. hopper and knives made of stainless steel 1.4571 (DIN) / 316Ti (AISI), hangers made of carbon steel, galvanised

13. weldings of stainless steel parts continuous free of gap

14. hopper electropolished

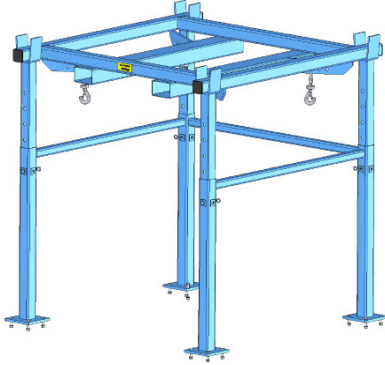




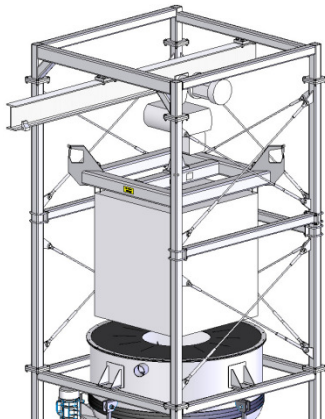
# Datasheet solids – Big-Bag-Discharger BAB-C-Clean



15. upper frame support, with adjustable height and lifting cross joint for big-bag-setting by a fork lifter



16. upper frame support for big-bag-setting, with crane rail, chain hoist and lifting cross joint, for big-bag weight max. 1000 kg, chain hoist separately specified, lifting unit and horizontal drive electrically activated, with current supply and multi-button pendant switches



17. upper frame support for big-bag-setting, with crane rail, chain hoist and lifting cross joint, for big-bag weight max. 1500 kg, chain hoist separately specified, lifting unit and horizontal drive electrically activated, with current supply and multi-button pendant switches
18. upper frame support for big-bag-setting, with crane rail, chain hoist and lifting cross joint, for big-bag weight max. 1900 kg,

chain hoist separately specified, lifting unit and horizontal drive electrically activated, with current supply and multi-button pendant switches

19. lifting cross with cover for the hopper
20. suitable for zone 20 inside and zone 22 outside acc. ATEX 2014/34/EU without electrical chain hoist and multi-button pendant switches
21. suitable for zone 20 inside and zone 2 outside acc. ATEX 2014/34/EU without electrical chain hoist and multi-button pendant switches
22. electrical chain hoist and multi-button pendant switches for zone 22
23. electrical chain hoist and multi-button pendant switches for zone 2
24. electrical chain hoist and multi-button pendant switches for zone 21
25. unbalanced motor for zone 21
26. unbalanced motor for zone 2
27. unbalanced motor for zone 1
28. electrical motor stop device for assembly in the control cabinet
29. wireless remote control for electrical chain hoist without ATEX
30. wireless remote control for electrical chain hoist for zone 22
- 31.1 4 weighing modules made of galvanised carbon steel with load cells, Ex-free. The modules are used for exact force leading and for fixing the construction, with integrated lift up security.
- 31.2 4 weighing modules made of galvanised carbon steel with load cells, suitable for all Ex-zones. The modules are used for exact force leading and for fixing the construction, with integrated lift up security

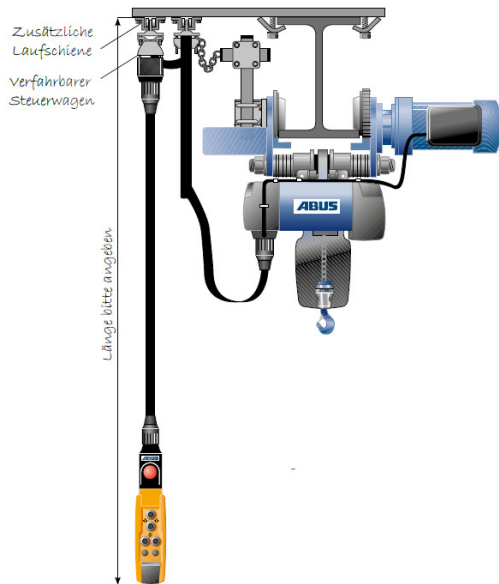




# Datasheet solids – Big-Bag-Discharger BAB-C-Clean



32. additional rail for multi-button pendant switches with movable control trolley

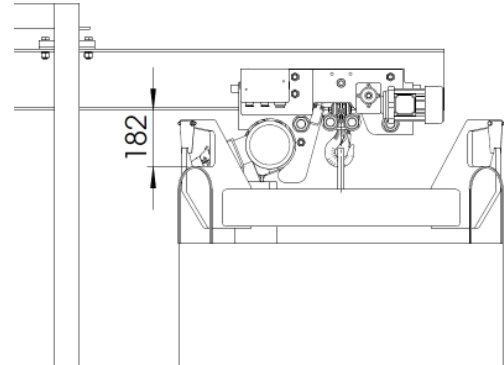


33. suitable for earthquake zone 1 + 2

34. suitable for earthquake zone 3

35. min. ambient temperature: -20 °C

36. special chain hoist incl. electric trolley with ultra low headroom



## Related documents:

3D-Part: Type.step (example : **BAB1500C01** . Step)

2D-planning drawing: Type.dxf (example: **BAB1500C01** . dxf)

selection criteria: SG-BAB

pricelist: PL- BAB-Messer -Clean

list of drawing numbers: Draw-No-List\_ BAB-Messer -Clean



**solids solutions group**  
[www.solids.eu](http://www.solids.eu)