



Datasheet

solids – Big-Bag-Discharger

BBD-V-Basic



Operating conditions:

permissible operating pressure: atmospheric, product temperature max: 40° C

max./min. ambient temperature: -10 °C ≤ T ≤ 50 °C

bulk solids data:

powder form, granule form up to lumpy, any hardness,

free flowing

Type	Width x Depth	Height	Support Area Big-Bag	Weight	permiss. Big-Bag-Weight
BBD1200B01	1580x1580 mm	2120 mm	max. 1200 x 1200 mm min. 520 x 520 mm	300 kg	1000 kg

Basical version:

big-bag reception shell (safety equipment), positioned on rubber buffers, with bracket for mounting an unbalanced motor, made of carbon steel

docking device for dust tight connection of the big-bag outlet tube, welded construction – made of carbon steel, with manually activated pressing plate and two pneumatic springs for easy moving, inlet diameter D=350mm for imposing the big-bag outlet tube, diameter of the big-bag outlet tube >350 mm, max. 500 mm, outlet diameter of the docking device D=350mm.

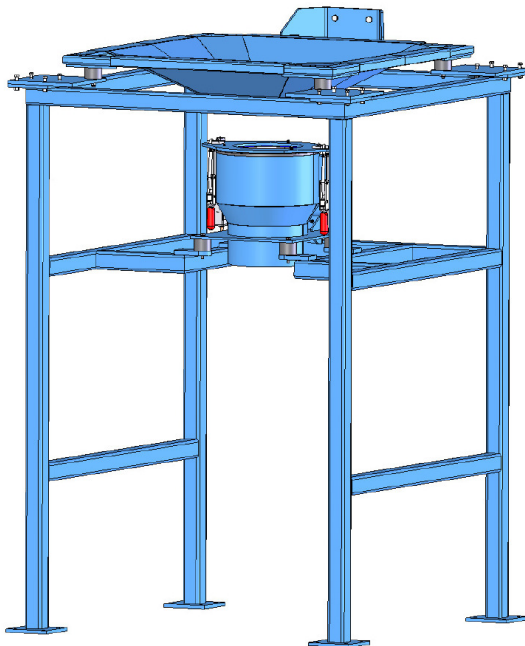
minimum big-bag-outlet length 400 mm from tie fastening

1 evacuation tube DN 50 for connecting to dedusting system on site

lower frame support made of carbon steel square tube, suitable for earthquake zone 0

surface treatment of carbon steel parts: with chemical descaling,

base painting 40 µm zinc-phosphate, final painting 40 µm 2-components-polyurethan, RAL5012 blue



approval	MIGSA	SST	Mr. Linder
date:	sign:	date: 18.3.13	date: 18.3.13
		sign: Le	sign: Li

Preliminary
Modifications reserved



solids solutions group
www.solids.eu



Datasheet

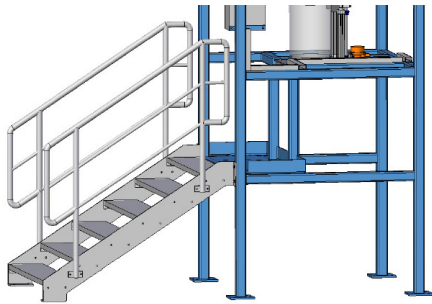
solids – Big-Bag-Discharger

BBD-V-Basic

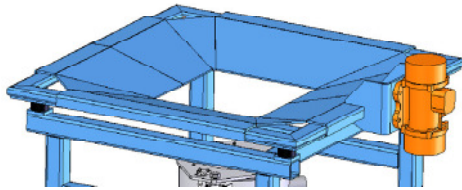


Options:

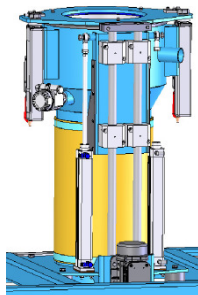
1. permissible big-bag weight 1500 kg
- 1.1. permissible big-bag weight 1900 kg
2. insert in the docking device for different diameter of the big-bag-outlet tube >250 mm <350 mm
3. substructure up to H=1500mm with operating platform and stair made of carbon steel



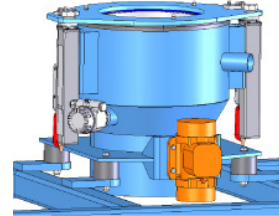
4. docking device made of 1.4306 (DIN) / 304L (AISI)
5. docking device made of stainless steel 1.4404 (DIN) / 316L (AISI)
6. docking device made of stainless steel 1.4571 (DIN) / 316Ti (AISI)
7. weldings continuous free of gap
8. discharge help unbalanced motor for vibration shell, 230/400V 50Hz IP65, for products up to limited flowing



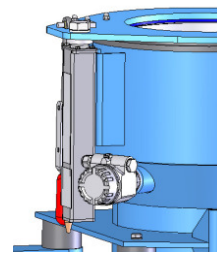
9. docking device with adjustable height for tightening the big-bag with pneumatic stretch device, incl. manual valves and pressure controller



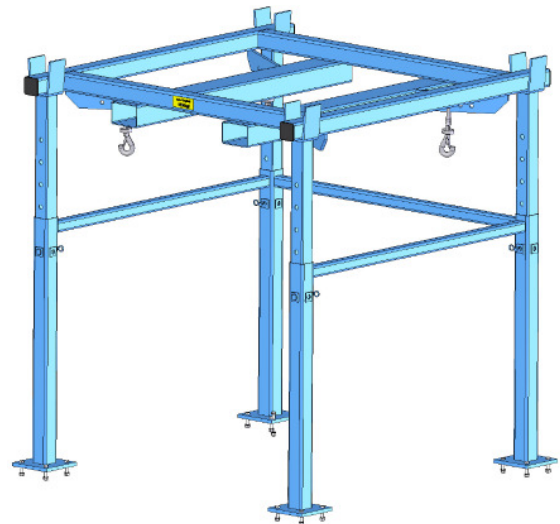
10. unbalanced motor 230/400V 50Hz IP65, for docking device as a discharge help



11. level switch in the docking device



12. upper frame support, with adjustable height and lifting cross joint for big-bag-setting by a fork lifter

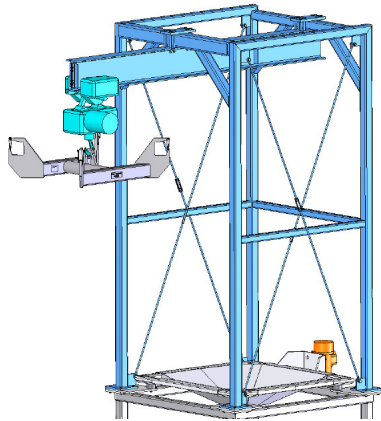




Datasheet solids – Big-Bag-Discharger BBD-V-Basic

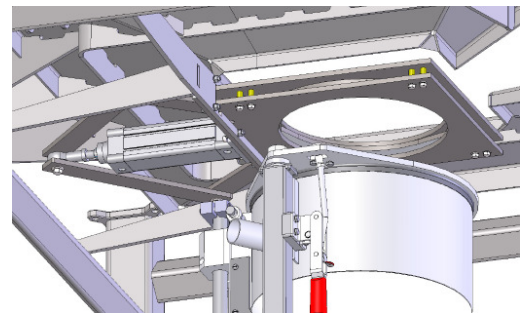


- 13. upper frame support for big-bag-setting, with crane rail, chain hoist and lifting cross joint, for big-bag weight max. 1000 kg, chain hoist separately specified, lifting unit and horizontal drive electrically activated, with current supply and multi-button pendant switches

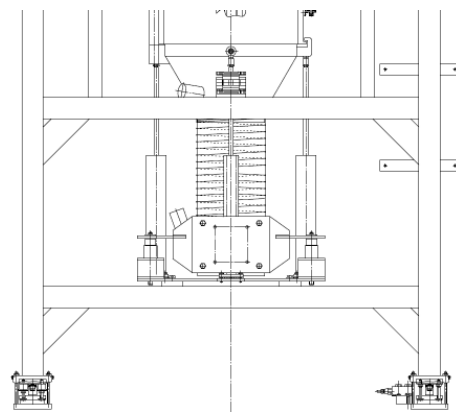


- 14. upper frame support for big-bag-setting, with crane rail, chain hoist and lifting cross joint, for big-bag weight max. 1500 kg, chain hoist separately specified, lifting unit and horizontal drive electrically activated, with current supply and multi-button pendant switches
- 15. upper frame support for big-bag-setting, with crane rail, chain hoist and lifting cross joint, for big-bag weight max. 1900 kg, chain hoist separately specified, lifting unit and horizontal drive electrically activated, with current supply and multi-button pendant switches
- 16. suitable for zone 20 inside and zone 22 outside acc. ATEX 2014/34/EU without electrical chain hoist and multi-button pendant switches
- 17. suitable for zone 20 inside and zone 2 outside acc. ATEX 2014/34/EU without electrical chain hoist and multi-button pendant switches
- 18. electrical chain hoist and multi-button pendant switches for zone 22
- 19. electrical chain hoist and multi-button pendant switches for zone 2
- 20. electrical chain hoist and multi-button pendant switches for zone 21

- 21. unbalanced motor for zone 21
- 22. unbalanced motor for zone 2
- 23. unbalanced motor for zone 1
- 24. wireless remote control for electrical chain hoist without ATEX
- 25. wireless remote control for electrical chain hoist for zone 22
- 26. collet-locking unit for relocking the big-bag after semi-discharging, operation allowed only with protection housing



- 27. protection housing with door and interlocking device
- 28.1 4 weighing modules made of galvanised carbon steel with load cells, Ex-free. The modules are used for exact force leading and for fixing the construction, with integrated lift up security.



- 28.2 4 weighing modules made of galvanised carbon steel with load cells, suitable for all Ex-zones. The modules are used for exact force leading and for fixing the construction, with integrated lift up security

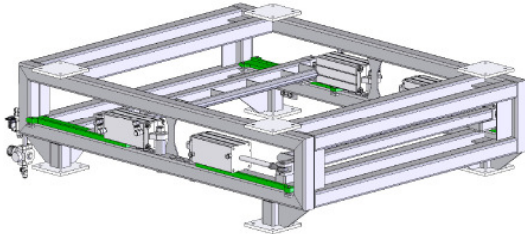




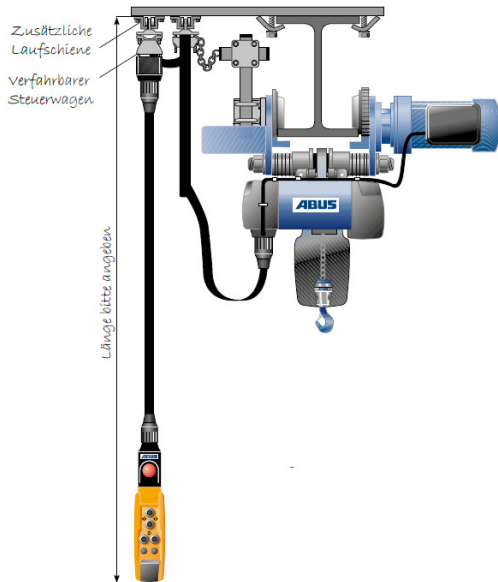
Datasheet solids – Big-Bag-Discharger BBD-V-Basic



29. additional module: breaking of agglomerates in the big-bag-outlet with 4 pneumatic cylinders, electro-pneumatic installation: pressure controller and solenoid valve



30. additional rail for multi-button pendant switches with movable control trolley

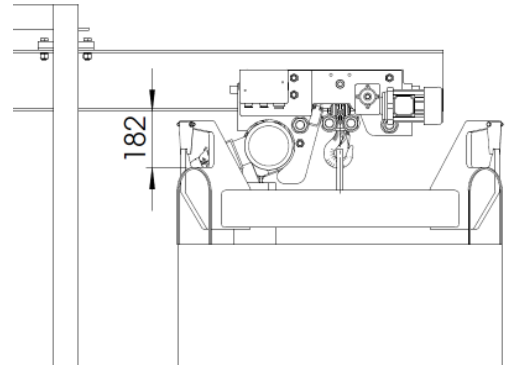


31. suitable for earthquake zone 1 + 2

32. suitable for earthquake zone 3

33. min. ambient temperature: -20 °C

34. special chain hoist incl. electric trolley with ultra low headroom



Related documents:

3D-Part: Type.step (example : **BBD1200B01**. Step)

2D-planning drawing: Type.dxf (example: **BBD1200B01**. dxf)

selection criteria: SG-BBD

pricelist: PL- BBD-Vibro -Basic

list of drawing numbers: Draw-No-List_ BBD-Vibro -Basic



solids solutions group
www.solids.eu