



Datasheet

solids – Big-Bag-Discharger

BBD-V-Clean



Operating conditions:

permissible operating pressure: atmospheric, product temperature max: 40° C

max./min. ambient temperature: -10 °C ≤ T ≤ 50 °C

bulk solids data:

powder form, granule form up to lumpy, any hardness, free flowing

Type	Width x Depth	Height	Support Area Big-Bag	Weight	permiss. Big-Bag-Weight
BBD1200C01	1580x1580 mm	2120 mm	max. 1200 x 1200 mm min. 520 x 520 mm	300 kg	1000 kg

Basical version:

big-bag reception shell (safety equipment), positioned on rubber buffers, with bracket for mounting an unbalanced motor, made of stainless steel 1.4306 (DIN) / 304L (AISI)

docking device for dust tight connection of the big-bag outlet tube, welded construction – made of stainless steel 1.4306 (DIN) / 304L (AISI), with manually activated pressing plate and two pneumatic springs for easy moving, inlet diameter D=350mm for imposing the big-bag outlet tube, diameter of the big-bag outlet tube >350 mm, max. 500 mm, outlet diameter of the docking device D=350mm.

minimum big-bag-outlet length 400 mm from tie fastening

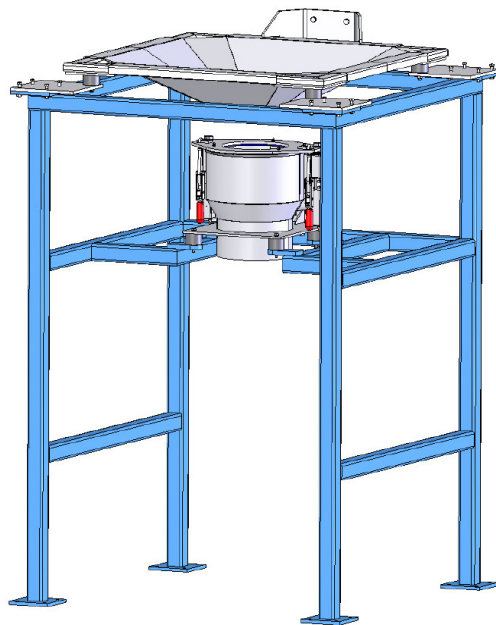
1 evacuation tube DN 50 for connecting to dedusting system on site

lower frame support made of carbon steel square tube, suitable for earthquake zone 0

surface treatment of stainless steel parts: pickled or brushed and passivated

surface treatment of carbon steel parts: with chemical descaling,

base painting 40 µm zinc-phosphate, final painting 40 µm 2-components-polyurethan, RAL5012 blue



approval	MIGSA	SST	Mr. Linder
date:	sign:	date:	sign:

Preliminary
Modifications reserved



solids solutions group
www.solids.eu



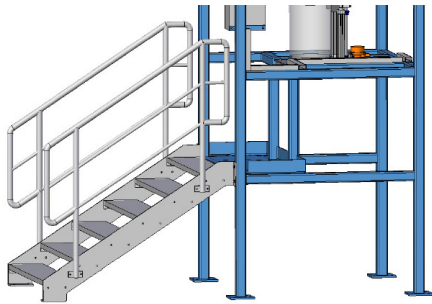
Datasheet

solids – Big-Bag-Discharger BBD-V-Clean

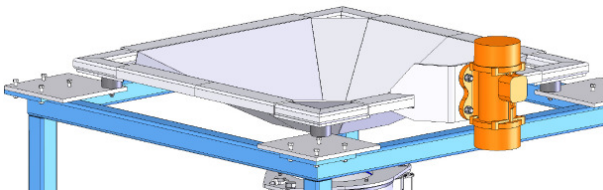


Options:

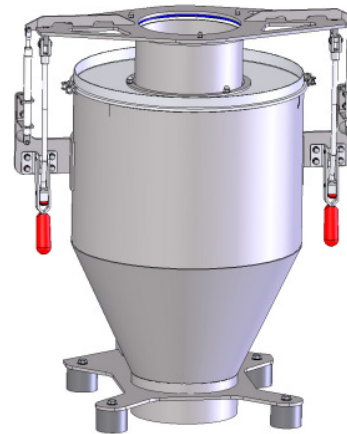
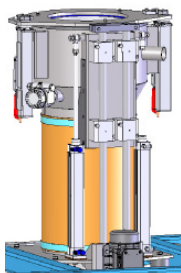
1. permissible big-bag weight 1500 kg
- 1.1. permissible big-bag weight 1900 kg
2. insert in the docking device for different diameter of the big-bag-outlet tube >250 mm <350 mm
3. substructure up to H=1500mm with operating platform and stair made of carbon steel
9. weldings continuous free of gap
10. fixed docking device for food acc. machine directive for dry processes
food design: surface quality inside according EN 10088 2B with roughness value $Ra \leq 0,8 \mu\text{m}$, weldings continuous $Ra \leq 3,0 \mu\text{m}$, fulfills EHEDG-Guidelines, hopper volume 140 dm³



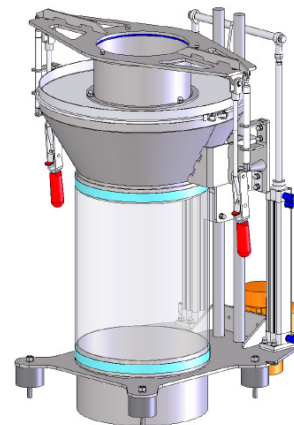
4. frame and frame-options galvanised
5. vibration shell and docking device made of stainless steel 1.4404 (DIN) / 316L (AISI)
6. vibration shell and docking device made of stainless steel 1.4571 (DIN) / 316Ti (AISI)
7. discharge help unbalanced motor for vibration shell, 230/400V 50Hz IP65, for products up to limited flowing



8. docking device with adjustable height for tightening the big-bag with pneumatic stretch device, incl. manual valves and pressure controller



11. docking device electropolished
12. docking device with adjustable height for tightening the big-bag with manual valves and pressure controller, for food acc. machine directive for dry processes
food design: surface quality inside according EN 10088 2B with roughness value $Ra \leq 0,8 \mu\text{m}$, weldings continuous $Ra \leq 3,0 \mu\text{m}$, fulfills EHEDG-Guidelines

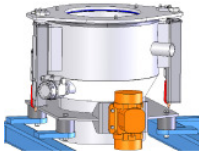




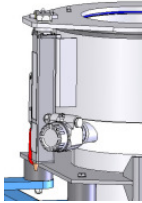
Datasheet solids – Big-Bag-Discharger BBD-V-Clean



13. unbalanced motor 230/400V 50Hz IP65, for docking device as a discharge help



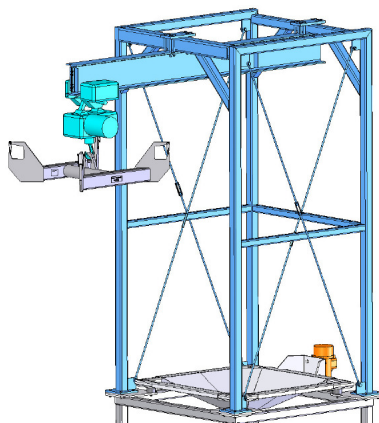
14. level switch in the docking device



15. upper frame support, with adjustable height and lifting cross joint for big-bag-setting by a fork lifter



16. upper frame support for big-bag-setting, with crane rail, chain hoist and lifting cross joint, for big-bag weight max. 1000 kg, chain hoist separately specified, lifting unit and horizontal drive electrically activated, with current supply and multi-button pendant switches



17. upper frame support for big-bag-setting, with crane rail, chain hoist and lifting cross joint, for big-bag weight max. 1500 kg, chain hoist separately specified, lifting unit and horizontal drive electrically activated, with current supply and multi-button pendant switches

18. upper frame support for big-bag-setting, with crane rail, chain hoist and lifting cross joint, for big-bag weight max. 1900 kg, chain hoist separately specified, lifting unit and horizontal drive electrically activated, with current supply and multi-button pendant switches

19. suitable for zone 20 inside and zone 22 outside acc. ATEX 2014/34/EU without electrical chain hoist

20. suitable for zone 20 inside and zone 2 outside acc. ATEX 2014/34/EU without electrical chain hoist and multi-button pendant switches

21. electrical chain hoist and multi-button pendant switches for zone 22

22. electrical chain hoist and multi-button pendant switches for zone 2

23. electrical chain hoist and multi-button pendant switches for zone 21

24. unbalanced motor for zone 21

25. unbalanced motor for zone 2

26. unbalanced motor for zone 1

27. wireless remote control for electrical chain hoist without ATEX

28. wireless remote control for electrical chain hoist for zone 22

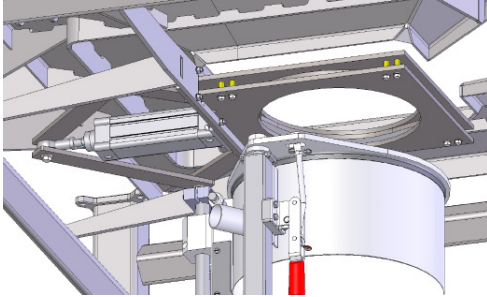




Datasheet solids – Big-Bag-Discharger BBD-V-Clean

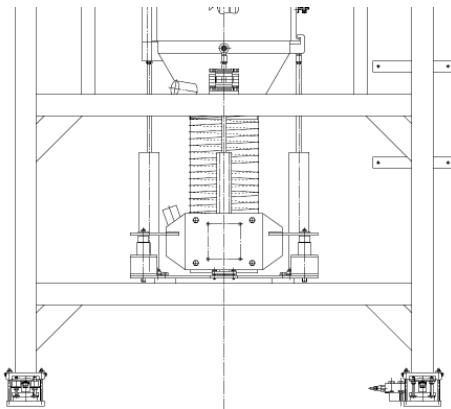


29. collet-locking unit for relocking the big-bag after semi-discharging, operation allowed only with protection housing



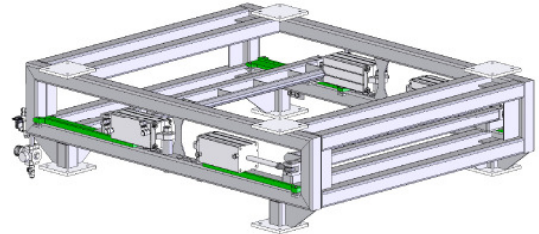
30. protection housing with door and interlocking device

- 31.1 4 weighing modules made of galvanised carbon steel with load cells, Ex-free. The modules are used for exact force leading and for fixing the construction, with integrated lift up security.

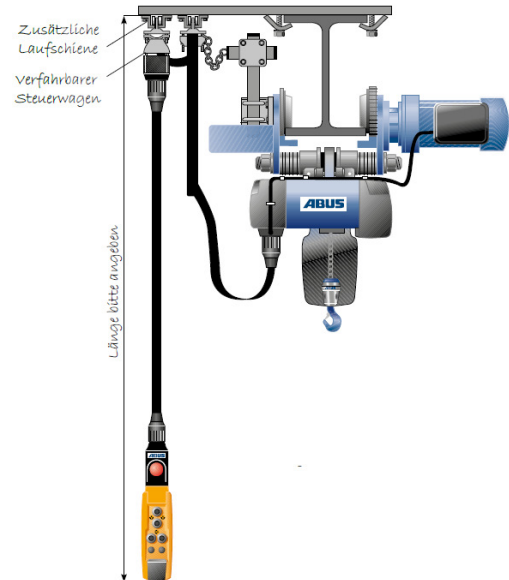


- 31.2 4 weighing modules made of galvanised carbon steel with load cells, suitable for all Ex-zones. The modules are used for exact force leading and for fixing the construction, with integrated lift up security

32. additional module: breaking of agglomerates in the big-bag-outlet with 4 pneumatic cylinders, electro-pneumatic installation: pressure controller and solenoid valve



33. additional rail for multi-button pendant switches with movable control trolley



34. suitable for earthquake zone 1 + 2

35. suitable for earthquake zone 3



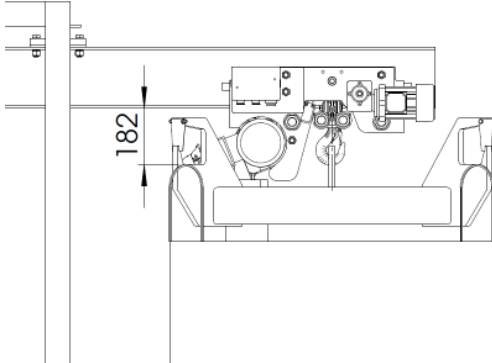


Datasheet solids – Big-Bag-Discharger BBD-V-Clean



36. min. ambient temperature: -20 °C

37. special chain hoist incl. electric trolley with ultra low headroom



Related documents:

3D-Part: Type.step (example : **BBD1200C01**. Step)

2D-planning drawing: Type.dxf (example: **BBD1200C01**. dxf)

selection criteria: SG-BBD

pricelist: PL- BBD-Vibro -Clean

list of drawing numbers: Draw-No-List_ BBD-Vibro -Clean



solids solutions group
www.solids.eu