



Datasheet

solids – Big-Bag-Discharger

BBD-W-Clean



Operating conditions:

permissible operating pressure: atmospheric, product temperature max: 40° C

max./min. ambient temperature: -10 °C ≤ T ≤ 50 °C

bulk solids data:

powder form, granule form up to lumpy, any hardness, difficult up to very difficult flowing

Type	Width x Depth	Height	Support Area Big-Bag	Weight	permiss. Big-Bag-Weight
BBD1200C02	1580x1580 mm	2050 mm	max. 1200 x 1200 mm min. 950 x 950 mm	400 kg	1000 kg

Basical version:

Tumble device made of carbon steel, galvanised: double rocker and inner tumble frame, based on bearings, for reception of the big-bag, with 2 pneumatic cylinders and solenoid valves. By activating the pneumatic cylinders over mounted solenoid valves the big-bag is tumbled and the content is flowing out.

Docking device for dust tight connection of the big-bag outlet tube, welded construction – made of stainless steel 1.4306 (DIN) / 304L (AISI), with manually activated pressing plate and two pneumatic springs for easy moving, inlet diameter D=350mm for imposing the big-bag outlet tube, diameter of the big-bag outlet tube >350 mm, max. 500 mm, outlet diameter of the docking device D=350mm

minimum big-bag-outlet length 400 mm from tie fastening

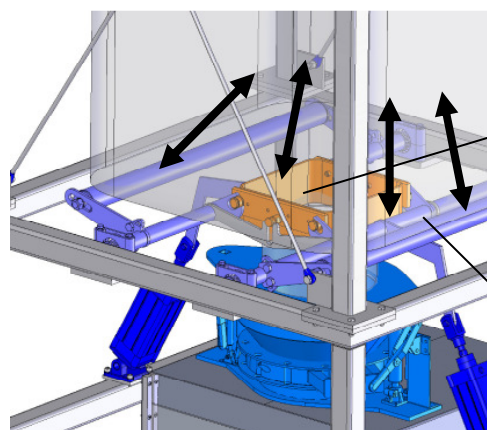
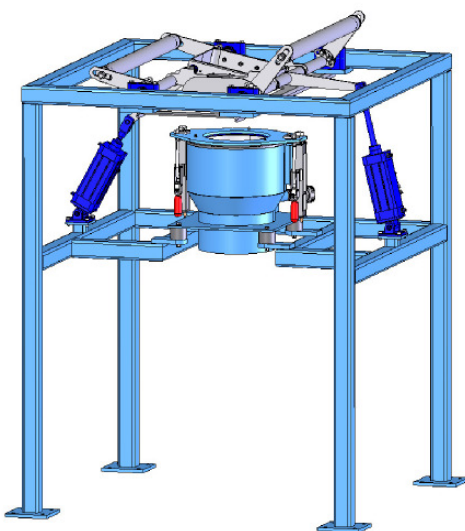
1 evacuation tube DN 50 for connecting to dedusting system on site

lower frame support made of carbon steel square tube, suitable for earthquake zone 0

surface treatment of carbon steel parts: with chemical descaling,

base painting 40 µm zinc-phosphate, final painting 40 µm 2-components-polyurethan, RAL5012 blue

surface treatment of stainless steel parts: pickled or brushed and passivated



Stage 1: tumble frame, makes the product flowing at the outlet range

Stage 2: double rocker, tumbles the big-bag at the outside range

Detail: multistage discharge aid for compacted products

approval	MIGSA	SST	Mr. Linder
date:	sign:	date:	sign:

Preliminary
Modifications reserved



solids solutions group
www.solids.eu



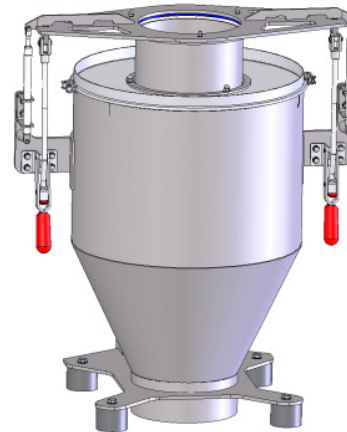
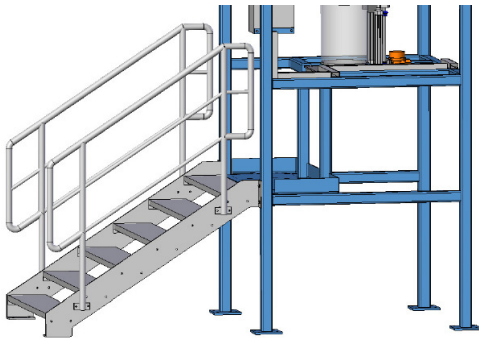
Datasheet

solids – Big-Bag-Discharger BBD-W-Clean

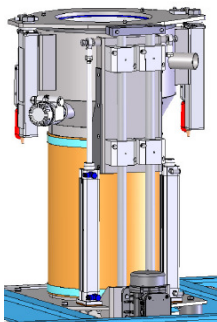


Options:

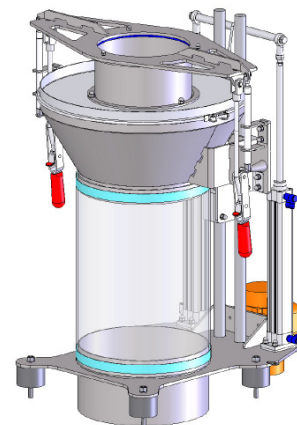
1. permissible big-bag weight 1500 kg
- 1.1. permissible big-bag weight 1900 kg
2. insert in the docking device for different diameter of the big-bag-outlet tube >250 mm <350 mm
3. substructure up to H=1500mm with operating platform and stair made of carbon steel
9. fixed docking device for food acc. machine directive for dry processes surface quality inside according EN 10088 2B with roughness value $Ra \leq 0,8 \mu\text{m}$, weldings continuous $Ra \leq 3,0 \mu\text{m}$, fulfills EHEDG-Guidelines, hopper volume 140 dm³



4. frame and frame-options galvanised
5. docking device made of stainless steel 1.4404 (DIN) / 316L (AISI)
6. docking device made of stainless steel 1.4571 (DIN) / 316Ti (AISI)
7. docking device with adjustable height for tightening the big-bag with pneumatic stretch device, incl. manual valves and pressure controller
10. docking device electropolished
11. docking device with adjustable height for tightening the big-bag with pneumatic stretch device for food acc. machine directive for dry processes surface quality inside according EN 10088 2B with roughness value $Ra \leq 0,8 \mu\text{m}$, weldings continuous $Ra \leq 3,0 \mu\text{m}$, fulfills EHEDG-Guidelines



8. weldings continuous free of gap



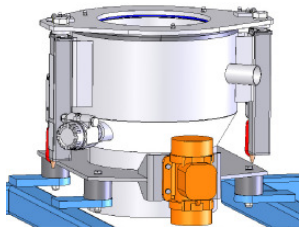


Datasheet

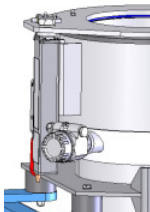
solids – Big-Bag-Discharger BBD-W-Clean



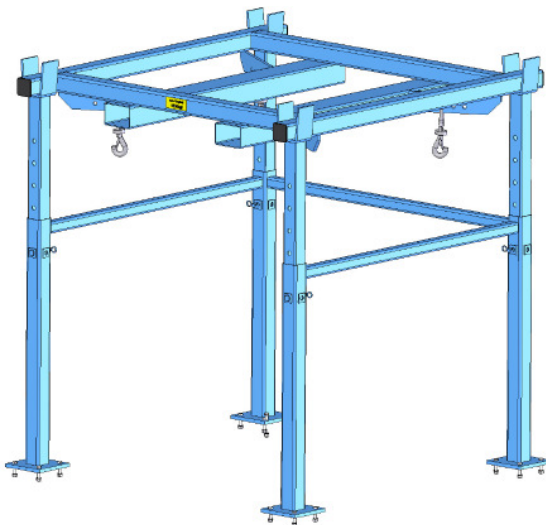
12. unbalanced motor 230/400V 50Hz IP65, for docking device as a discharge help



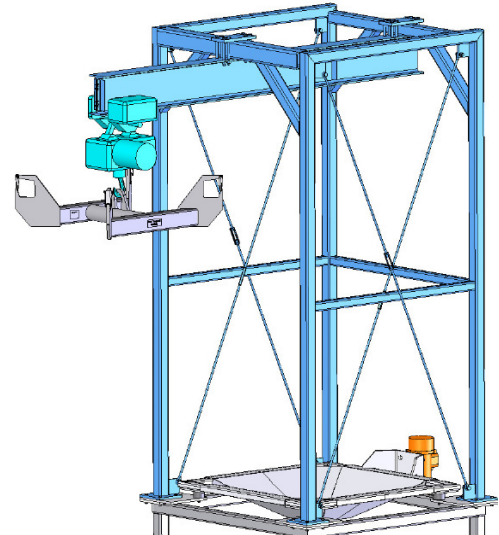
13. level switch in the docking device



14. upper frame support, with adjustable height and lifting cross joint for big-bag-setting by a fork lifter



15. upper frame support for big-bag-setting, with crane rail, chain hoist and lifting cross joint, for big-bag weight max. 1000 kg, chain hoist separately specified, lifting unit and horizontal drive electrically activated, with current supply and multi-button pendant switches



16. upper frame support for big-bag-setting, with crane rail, chain hoist and lifting cross joint, for big-bag weight max. 1500 kg, chain hoist separately specified, lifting unit and horizontal drive electrically activated, with current supply and multi-button pendant switches

17. upper frame support for big-bag-setting, with crane rail, chain hoist and lifting cross joint, for big-bag weight max. 1900 kg, chain hoist separately specified, lifting unit and horizontal drive electrically activated, with current supply and multi-button pendant switches

18. suitable for zone 20 inside and zone 22 outside acc. ATEX 2014/34/EU without electrical chain hoist

19. suitable for zone 20 inside and zone 2 outside acc. ATEX 2014/34/EU without electrical chain hoist and multi-button pendant switches



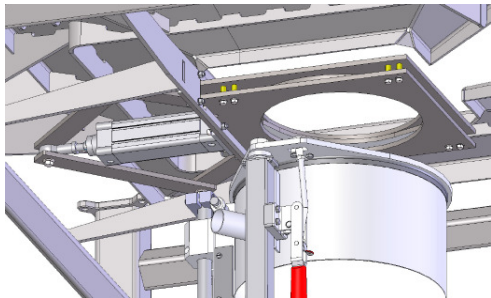


Datasheet

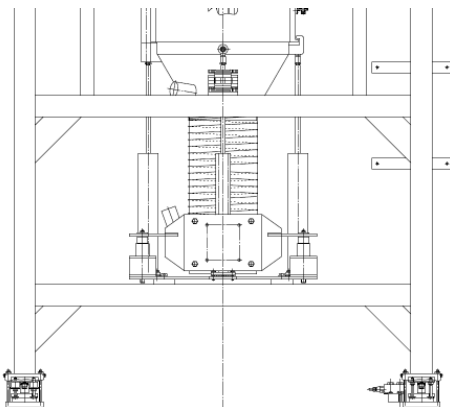
solids – Big-Bag-Discharger BBD-W-Clean



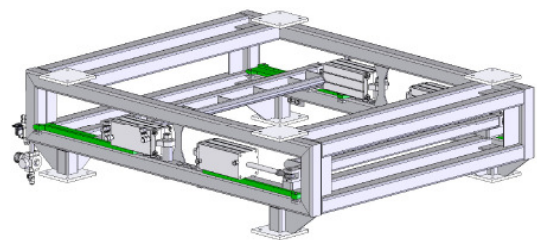
- 20. electrical chain hoist and multi-button pendant switches for zone 22
- 21. electrical chain hoist and multi-button pendant switches for zone 2
- 22. electrical chain hoist and multi-button pendant switches for zone 21
- 23. unbalanced motor for zone 21
- 24. unbalanced motor for zone 2
- 25. unbalanced motor for zone 1
- 26. ireless remote control for electrical chain hoist without ATEX
- 27. wireless remote control for electrical chain hoist for zone 22
- 28. collet-locking unit for relocking the big-bag after semi-discharging, operation allowed only with protection housing



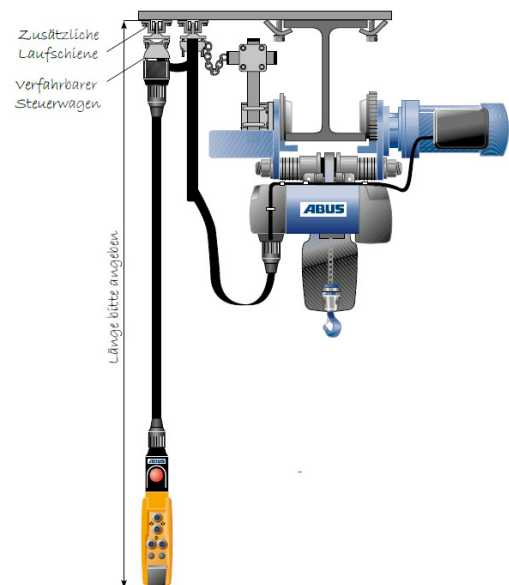
- 29. protection housing with door and interlocking device
- 30.1 4 weighing modules made of galvanised carbon steel with load cells, Ex-free. The modules are used for exact force leading and for fixing the construction, with integrated lift up security.



- 30.2 4 weighing modules made of galvanised carbon steel with load cells, suitable for all Ex-zones. The modules are used for exact force leading and for fixing the construction, with integrated lift up security
- 31. additional module: breaking of agglomerates in the big-bag-outlet with 4 pneumatic cylinders, electro-pneumatic installation: pressure controller and solenoid valve



- 32. additional rail for multi-button pendant switches with movable control trolley

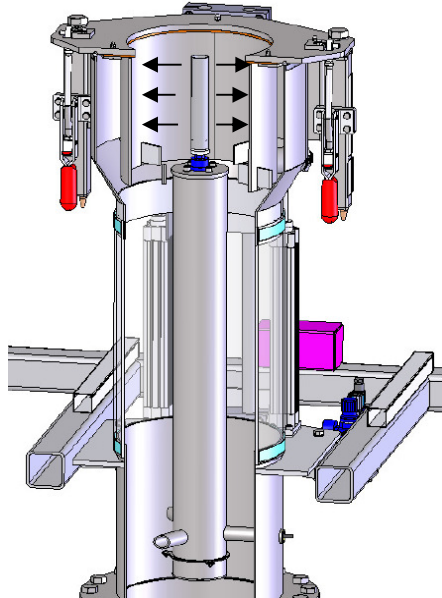




Datasheet solids – Big-Bag-Discharger BBD-W-Clean



33. Fluidization for docking unit as a discharge aid, consisting of:
Extendable aeration stick, pneumatic-cylinder, compressed air connection, pneumatic installation for pneumatic-cylinder and fluidization air

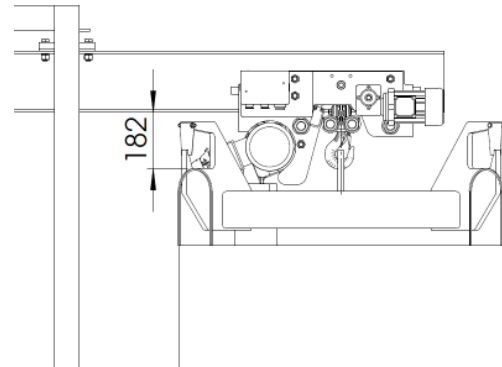


34. suitable for earthquake zone 1 + 2

35. suitable for earthquake zone 3

36. min. ambient temperature: -20 °C

37. special chain hoist incl. electric trolley with ultra low headroom



Related documents:

3D-Part: Type.step (example : **BBD1200C02**. Step)

2D-planning drawing: Type.dxf (example: **BBD1200C02**. dxf)

selection criteria: SG-BBD

pricelist: PL- BBD-Walk -Clean

list of drawing numbers: Draw-No-List_ BBD-Walk -Clean



solids solutions group
www.solids.eu