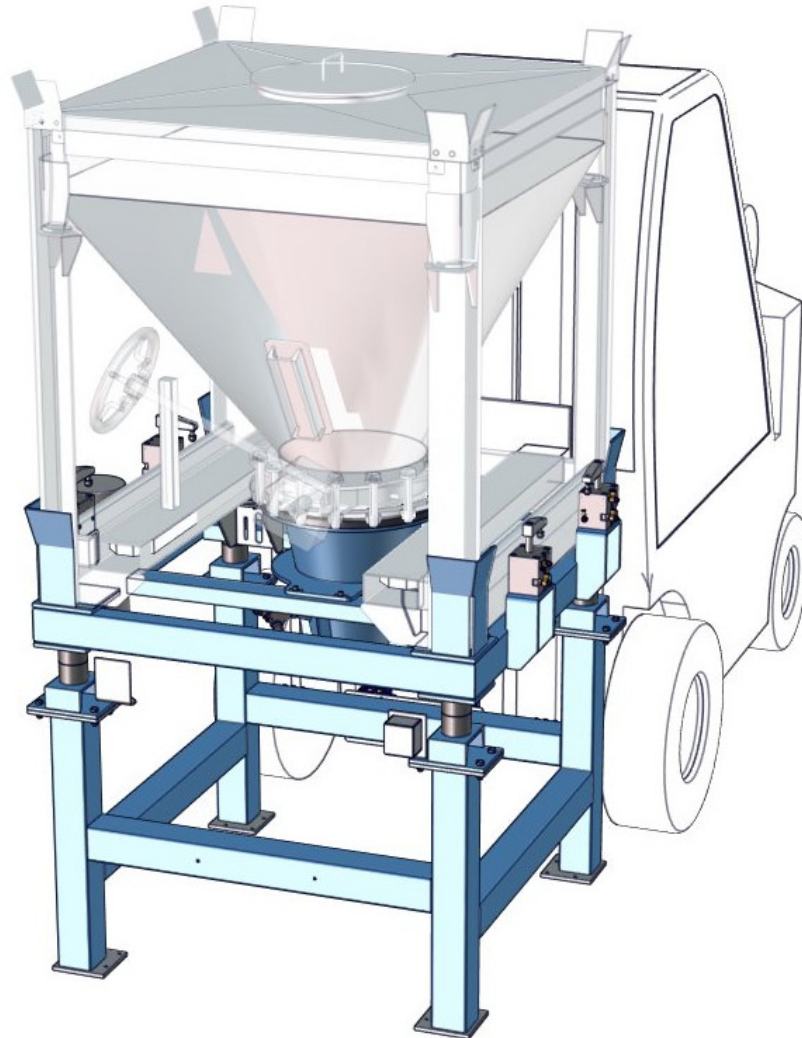




**Datasheet**  
**solids – Container-Discharger**  
CVD-Basic



**Dust free discharging of all containers, universally applicable, all dosing and conveying systems can be adapted, all container sizes are possible**



**Advantages:**

- easy to operate
- universally applicable, all dosing- and conveying systems can be adapted
- all container sizes are possible
- dust free docking of the container
- low maintenance



**solids solutions group**  
[www.solids.eu](http://www.solids.eu)



# Datasheet solids – Container-Discharger CVD-Basic



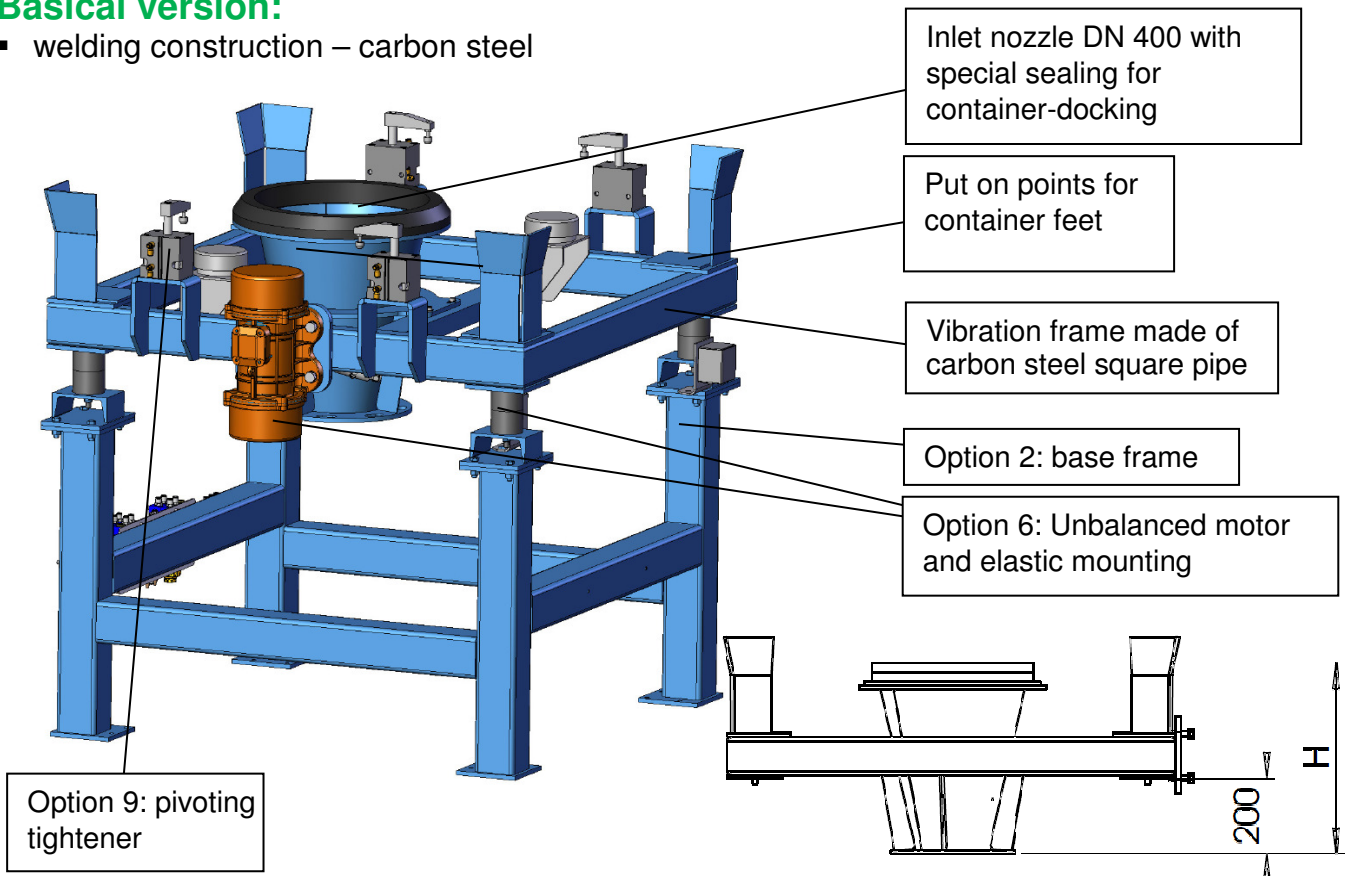
## Operating conditions:

- permissible operating pressure: atmospheric
- product temperature max: 40° C
- max/min ambient temperature: -10°C ≤ T ≤ 40°C
- bulk solids data: powder form, granule form up to lumpy, any hardness,
- free flowing products

Type	Container-Dimensions Width x Depth (mm)	Height H (mm)	Weight (kg)
<b>CVD1012B01</b>	1000x1200	535	200

## Basical version:

- welding construction – carbon steel



This is not an equipment according ATEX-directive 2014/34/EU, but in contact with product (inside) usable in the zones 20-21-22. Additional electrical parts must be approved for the chosen ATEX-zone.

Surface treatment:

Chemical stripped, Primer 40 µm zinc phosphate,

Top coat 40 µm 2-component polyurethane, RAL5012 blue

approval:	MIGSA	SST	H. Linder
Date:	Sign:	Date:	Sign:

Preliminary  
modifications reserved



**solids solutions group**

[www.solids.eu](http://www.solids.eu)



# Datasheet

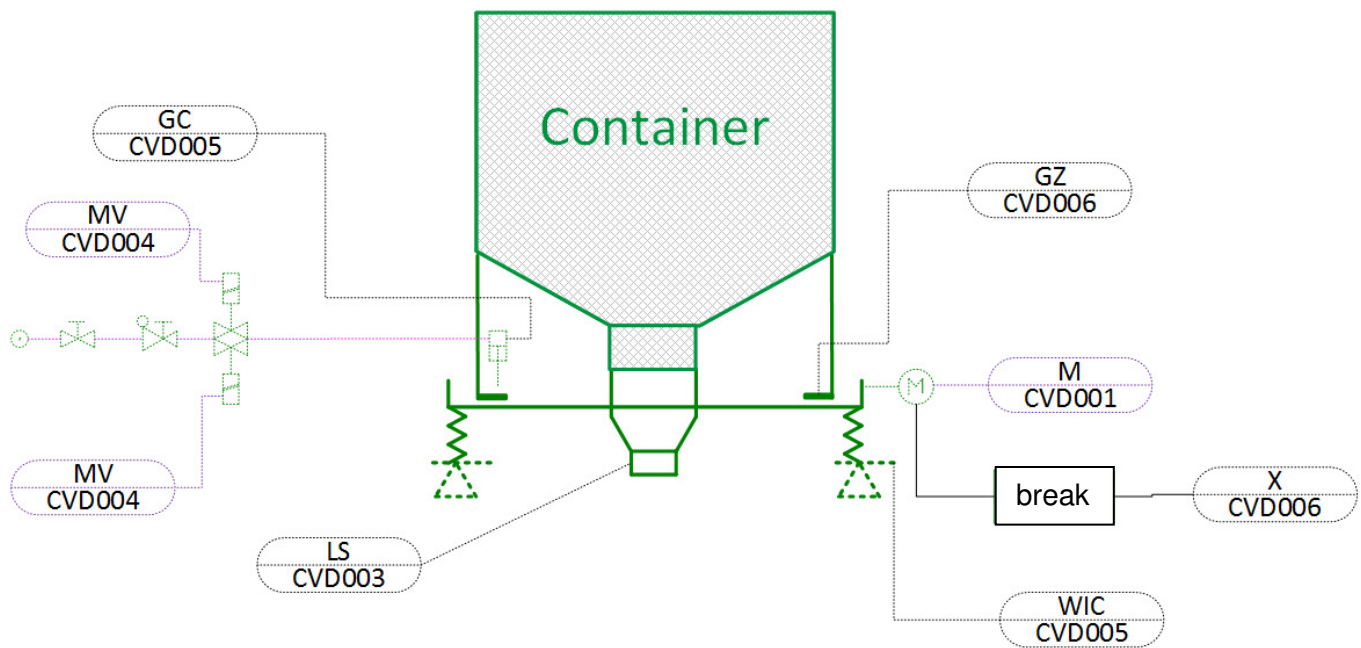
## solids – Container-Discharger

### CVD-Basic



### Electric parts:

	Denomination	Manufacturer	Type
<b>Option 7: unbalanced motor</b>			
CVD001	Unbalanced motor	OLI	MVE 700/15
<b>Option 8: level switch</b>			
CVD002	level switch	VEGA	VEGAWAVE61
<b>Option 9: pivoting tightener for container-fixing</b>			
CVD003	solenoid valve	Norgren	2623300
CVD004	limit switch	AMF	101154221
<b>Option 10: Weighing module</b>			
CVD005	load cell	Flintec	Sb4
<b>Option 14: electrical motor break device</b>			
CVD006	elektrical motor break device		



solids solutions group  
[www.solids.eu](http://www.solids.eu)

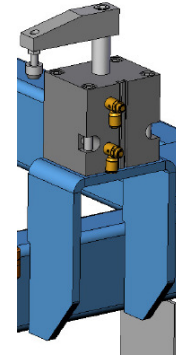
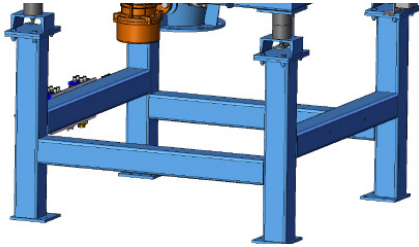


# Datasheet solids – Container-Discharger CVD-Basic

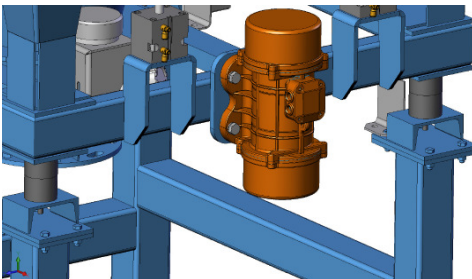


## Options:

1. Vibration frame galvanised
2. Base frame up to H=1500mm made of carbon steel, painted
9. Pivoting tightener for container-fixing, with pneumatic installation

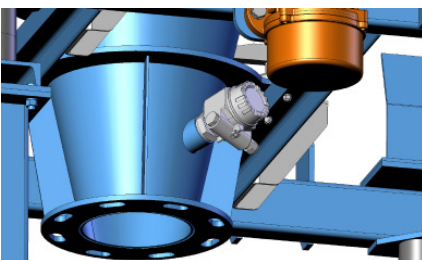


3. Base frame galvanised
4. Other inlet nozzle diameter with corresponding height
5. Other inlet nozzle rectangular with corresponding height
6. Adapting piece for special dimensions
7. Unbalanced motor for zone 2/22 and elastic mounting, for limited flowing products



10. 4 weighing modules made of galvanised carbon steel with load cells, Ex-free. The modules are used for exact force leading and for fixing the construction, with integrated lift up security
11. Outlet options:
  - 11.1 with smooth nozzle
  - 11.2 with flange PN10
  - 11.3 with compensator
12. Electrical parts outside suitable for zone 2/22, with earthing
13. Electrical parts outside suitable for zone 1/21, with earthing
14. Elektrical motor break device for mounting in a control cabinet

8. Level switch Ex-free



## Related documents:

3D-Part: Type.step (example: **CVD1012B01**. Step)  
2D-planning drawing: Type.dxf (example: **CVD1012B01**. dxf)  
Selection criteria: SG-CVD  
Pricelist: PL-CVD-Basic



**solids solutions group**

[www.solids.eu](http://www.solids.eu)