



Datasheet solids – Lump Crusher K1G-Basic



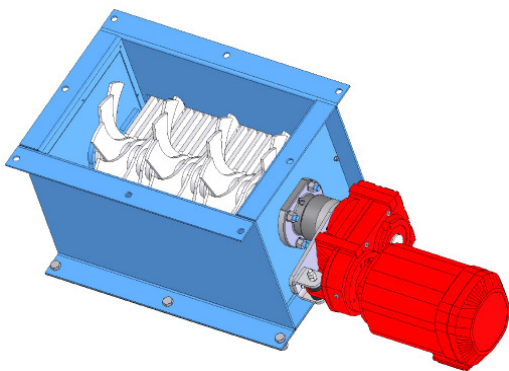
Operating conditions:

- permissible operating pressure: minus 50 mbar up to 50 mbarg, not gastight
- product temperature max: 100° C
- min/max ambient temperature: $-20^{\circ}\text{C} \leq T \leq +50^{\circ}\text{C}$
- bulk solids data: powder form up to lumpy, up to middle hardness,
consistency of the lumps: agglomerates up to lumps like gas concrete
size of the feed lumps: up to 120 mm
capacity and final size: tests are required
free flowing up to difficult fluidity

| Type | Inlet / Outlet | Height | Weight |
|-------------------|----------------|--------|--------|
| K1G3030B01 | 300x300 mm | 400 mm | 300 kg |
| K1G3040B01 | 300x400 mm | 400 mm | 400 kg |
| K1G4060B01 | 400x600 mm | 500 mm | 600 kg |

Basical version:

- housing: welding construction – carbon steel
- Rotor: 1 shaft with slipped on crushing discs – carbon steel
- replaceable grate with gap-width 20 mm – carbon steel
- outside bearings on both sides
- shaft seal: radial shaft sealing rings
- inlet with flange, outlet with flange
- inspection cover at the side in the housing
- suitable for zone 21 inside category 2 acc. ATEX94/9/EC
- 2 drives: direct
- motor: three-phase gearboxmotor, manufacturer: SEW, separately specified
form: slip on gear with torque arm
- surface treatment: with chemical descaling
base painting 40 µm zinc-phosphate
final painting 40 µm 2-components-polyurethan, RAL5012 blue



| | | | |
|----------|-------|-------|-----------|
| approval | MIGSA | SST | H. Linder |
| Date: | sign: | Date: | sign: |

Preliminary
Modifications reserved


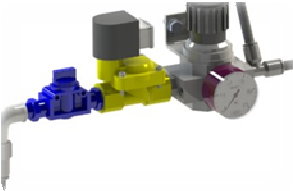
S.S.T.-Schüttguttechnik Maschinenbau GmbH
Lechwiesenstr. 21, 86899 Landsberg / Lech
Tel. 0049 (0)8191-3359-50 / Fax 0049 (0)8191-3359-55
Mail SST@solids-service.de www.solids.de



Datasheet solids – Lump Crusher K1G-Basic



Options:

1. crushing elements made of 1.4306
2. crushing elements made of Hardox
3. M12 inductive detector for turning detection

4. pneumatic installation for sealing/purge air, consisting of 2/2-way solenoid valve, pressure regulator and nozzles

5. electrical parts outside for zone 2/22
6. electrical parts outside for zone 1/21
7. grate and crushing discs for gap-width 12 mm
8. ----
9. ----
10. electronic overload module for safety against excessive stress or blocking by coarse or foreign parts, mounted in a control cabinet

Related documents:

3D-Part: Type.step (example : **K1G3030B01**. step)
2D-planning drawing: Type.dxf (example: **K1G3030B01**. dxf)
selection criteria: SG-K1G
pricelist: PL-K1G-Basic
list of drawing numbers: Draw-No-List_K

S.S.T.-Schüttguttechnik Maschinenbau GmbH
Lechwiesenstr. 21, 86899 Landsberg / Lech
Tel. 0049 (0)8191-3359-50 / Fax 0049 (0)8191-3359-55
Mail SST@solids-service.de www.solids.de