



Datasheet solids – Lump Crusher K1G-Clean



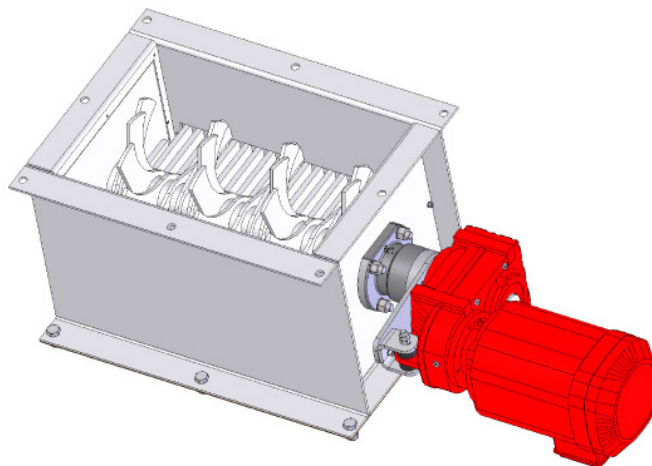
Operating conditions:

- permissible operating pressure: minus 50 mbar up to 50 mbarg, not gastight
- product temperature max: 100° C
- min/max ambient temperature: $-20^{\circ}\text{C} \leq T \leq +50^{\circ}\text{C}$
- bulk solids data: powder form up to lumpy, up to middle hardness,
consistency of the lumps: agglomerates up to lumps like gas concrete
size of the feed lumps: up to 120 mm
capacity and final size: tests are required
free flowing up to difficult fluidity

Type	Inlet / Outlet	Height	Weight
K1G3030C01	300x300 mm	400 mm	300 kg
K1G3040C01	300x400 mm	400 mm	400 kg
K1G4060C01	400x600 mm	500 mm	600 kg

Basical version:

- housing: welding construction – stainless steel 1.4306 (DIN) / 304L (AISI)
- Rotor: 1 shaft with slipped on crushing discs – stainless steel 1.4306 (DIN) / 304L (AISI)
- replaceable grate with gap-width 20 mm – stainless steel 1.4306 (DIN) / 304L (AISI)
- outside bearings on both sides
- shaft seal: radial shaft sealing rings
- inlet with flange, outlet with flange
- inspection cover at the side in the housing
- suitable for zone 21 inside category 2 acc. ATEX 2014/34/EU
- 2 drives: direct
- motor: three-phase gearboxmotor, manufacturer: SEW, separately specified
form: slip on gear with torque arm
- Surface treatment: Pickled or brushed and passivated



approval	MIGSA	SST	H. Linder
	Date: sign:	Date: sign:	Date: sign:

Preliminary
Modifications reserved



solids solutions group
www.solids.eu


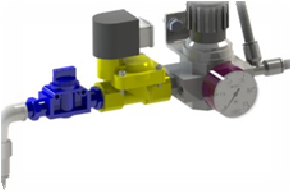




Datasheet solids – Lump Crusher K1G-Clean



Options:

1. Parts in contact with product made of 1.4404 (DIN) / 316L (AISI)
2. Parts in contact with product made of 1.4571 (DIN) / 316Ti (AISI)
3. M12 inductive detector for turning detection

4. pneumatic installation for sealing/purge air, consisting of 2/2-way solenoid valve, pressure regulator and nozzles

5. electrical parts outside for zone 2/22
6. electrical parts outside for zone 1/21
7. grate and crushing discs for gap-width 12 mm
8. electronic overload module for safety against excessive stress or blocking by coarse or foreign parts, mounted in a control cabinet

Related documents:

3D-Part: Type.step (example : **K1G3030C01**. step)

2D-planning drawing: Type.dxf (example: **K1G3030C01**. dxf)

selection criteria: SG-K1G

pricelist: PL-K1G-Clean

list of drawing numbers: Draw-No-List_K



solids solutions group
www.solids.eu

