



Datasheet solids – Lump Crusher K2-Basic



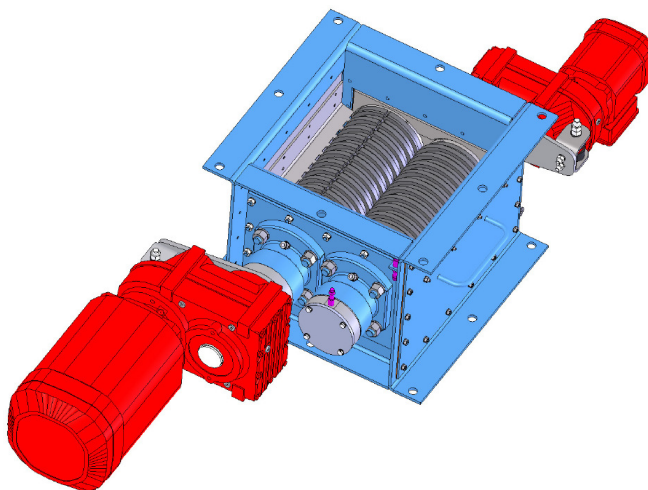
Operating conditions:

- permissible operating pressure: < 0,5 bar g
- product temperature max: 100° C
- min/max ambient temperature: -20°C ≤ T ≤ +50°C
- bulk solids data: powder form up to lumpy, up to middle hardness, free flowing up to middle flowability

Type	Inlet / Outlet	Height	Final Grain Size	Weight
K23536B01	355 x 360 mm	365 mm	≈ < 10-20 mm	400 kg
K23563B01	355 x 630 mm	365 mm	≈ < 10-20 mm	600 kg

Basical version:

- housing: welding construction – carbon steel
- crushing rotors: carbon steel
2 crushing rotors with toothed discs, rotating in the opposite direction, rotating speed ratio about 1:3 adapted to the task
- outside bearings on both sides
- shaft seal: radial shaft sealing rings
- inlet with flange, outlet with flange
- inspection cover at the side in the housing
- suitable for zone 21 inside category 2 acc. ATEX94/9/EC
- 2 drives: direct
- motor: three-phase gearboxmotor, manufacturer: SEW, separately specified
form: slip on gear with torque arm
- surface treatment: with chemical descaling,
base painting 40 µm zinc-phosphate,
final painting 40 µm 2-components-polyurethan, RAL5012 blue



approval	MIGSA	SST	H. Linder
Date:	sign:	Date:	sign:

Preliminary
Modifications reserved

S.S.T.-Schüttguttechnik Maschinenbau GmbH
 Lechwiesenstr. 21, 86899 Landsberg / Lech
 Tel. 0049 (0)8191-3359-50 / Fax 0049 (0)8191-3359-55
 Mail SST@solids-service.de www.solids.de

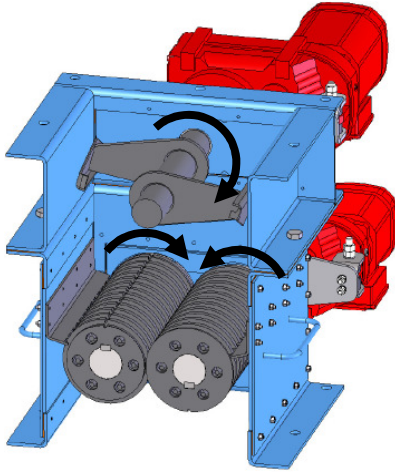


Datasheet solids – Lump Crusher K2-Basic



Options:

1. pre-crusher with feeding strips



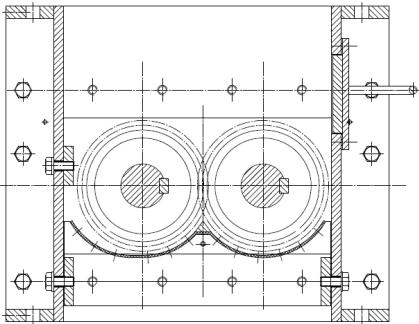
5. M12 inductive detector for turning detection



2. crushing elements for final grain size about $< 5-10$ mm

3. crushing elements for final grain size about $< 3-5$ mm

4. sieve under the crushing elements for limiting the maximum grain size



6. pneumatic installation for sealing/purge air, consisting of 2/2-way solenoid valve, pressure regulator and nozzles



7. electrical parts outside for zone 2/22

8. electrical parts outside for zone 1/21

9. electronic overload module for safety against excessive stress or blocking by coarse or foreign parts, mounted in a control cabinet

Related documents:

3D-Part: Type.step (example : **K23536B01**. step)

2D-planning drawing: Type.dxf (example: **K23536B01**. dxf)

selection criteria: SG-K2

pricelist: PL-K2-Basic

list of drawing numbers: Draw-No-List_K

S.S.T.-Schüttguttechnik Maschinenbau GmbH

Lechwiesenstr. 21, 86899 Landsberg / Lech

Tel. 0049 (0)8191-3359-50 / Fax 0049 (0)8191-3359-55

Mail SST@solids-service.de www.solids.de