



# Datasheet Solids-Butterfly Valve DKA-Basic



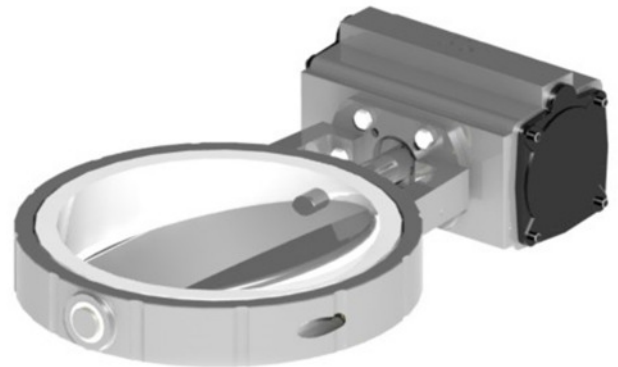
## Operating conditions:

- Max. temperature.: 80 °C
- Max./min. ambient temperature:  $-25\text{ °C} \leq T \leq 50\text{ °C}$  (80°C without the solenoid valve)
- Suitable for vacuum
- Solid to bulk data: Particle size: powders, medium hardness  
Fluidity: for products up to medium fluidity

Type	Diameter	Sealtightness	Height	Weight
<b>DKA35B01</b>	DN 350 mm	1,5 bar	60 mm	35 Kg
<b>DKA40B01</b>	DN 400 mm	1.5 bar	70 mm	43 kg
<b>DKA50B01</b>	DN 500 mm	1.5 bar	80 mm	50 kg

## Basical version:

- Split housing for easy change of the sealing, made of aluminium G AL SI 10 Mg
- plate with carbon steel shafts
- Polyurethane sealing joint
- Pneumatically driven
- Attachment between flanges PN6/PN10
- Surface treatment:  
Body: epoxy oven-cured powder coating, 180µm.  
Plate: chemical stripping, primer 40 µm of zinc phosphate\*.



The device described below does not have any source of ignition. Therefore, it does not apply the ATEX Directive 2014/34/EU and are authorized to contain potentially explosive atmospheres (zones 20-21-22) inside. According to the guide of the ATEX Directive 2014/34/EU, it should not be marked on the plate.

The electrical equipment must be specified separately and duly certified for the corresponding ATEX zone.

approval	MIGSA		SST		Mr. Linder	
	date:	sign:	date:	sign:	date:	sign:

**Preliminary  
Modifications reserved**



**solids solutions group**

[www.solids.eu](http://www.solids.eu)

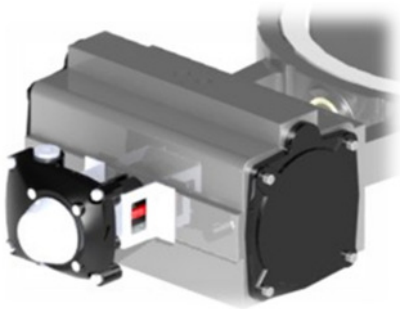


## Datasheet Solids-Butterfly Valve DKA-Basic

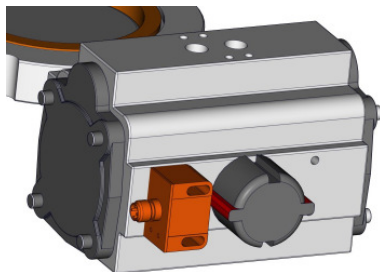


### Options:

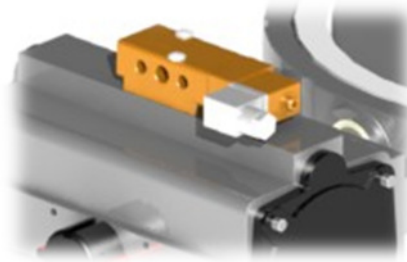
1. With silicone seal joint up to 200 °C
2. With metal seal joint, steel insert instead of elastomer, over 200 °C
3. With mechanical limit switches



4. With inductive detectors



5. With Namur solenoid valve



6. With Atex Ex II 2D electro mechanical limit switch.
7. With Atex Ex II 2D inductive detector
8. With Atex Ex II 2D Namur solenoid valve
9. ----
10. With Atex Ex II 3D electro mechanical limit switch.
11. With Atex Ex II 3D inductive detector
12. With Atex Ex II 2D Namur solenoid valve

### Associated documents:

3D-part: Type.step (e.g. : **DKA20B01**. Step)  
2D layout drawing: Type.dxf (e.g. : **DKA20B01**. dxf)  
Selection guide: SG-FSP-FSH-DKA-DKH  
Price list: PL-DKA-Basic  
list of drawing numbers: Draw-No-List\_DKA-Basic



**solids solutions group**

[www.solids.eu](http://www.solids.eu)