



Datasheet Solids-Butterfly Valve DKA-D-Clean



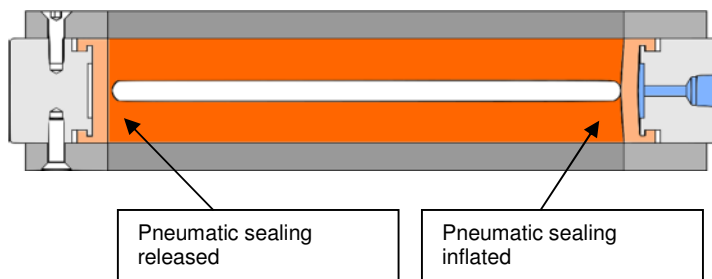
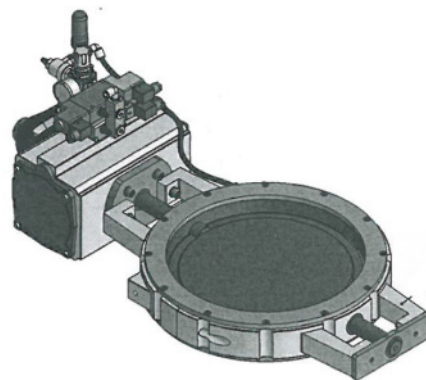
Operating conditions:

- Sealtight up to 3 bar, DN400 and 500 up to 1,5 bar
- Max. temperature: 80 °C
- Max./min. ambient temperature: -25 °C ≤ T ≤ 50 °C (80°C without a solenoid valve)
- Suitable for vacuum
- Solid to bulk data: Particle size: powders, for abrasive products
Fluidity: for products up to restricted flowing products

Type	Diameter	Height	Weight
DKD05C01	DN 50 mm	20 mm	4 kg
DKD08C01	DN 80 mm	20 mm	5.2 kg
DKD10C01	DN 100 mm	24 mm	6.7 kg
DKD12C01	DN 125 mm	28.6 mm	7.3 kg
DKD15C01	DN 150 mm	32 mm	13.2 kg
DKD20C01	DN 200 mm	40 mm	16 kg
DKD25C01	DN 250 mm	50 mm	23 kg
DKD30C01	DN 300 mm	60 mm	33 kg
DKD35C01	DN 350 mm	60 mm	35 Kg
DKD40C01	DN 400 mm	70 mm	44 kg
DKD50C01	DN 500 mm	80 mm	51 kg

Basical version:

- Split housing for easy change of the sealing, made of aluminium G AL SI 10 Mg
- Plate made of stainless steel: 1.4306 for DN 350, 400, 500. 1.4404 for DN 50, 80, 100, 125, 150, 200, 250, 300.
- Food-safe polyurethane inflatable sealing joint
- Pneumatic installation for actuator and pressing of the sealing
- Electro mechanical limit switches and inflation control board.
- Attachment between flanges PN6/PN10
- With 2 bolted flanges, which are flush with the inside diameter of the sealing
- Surface treatment:
Body: epoxy oven-cured powder coating, 180µm.
Plate: stripped and passivated



approval	MIGSA	SST	Mr. Linder
date:	sign:	date:	sign:

Preliminary
Modifications reserved



solids solutions group
www.solids.eu



Datasheet Solids-Butterfly Valve DKA-D-Clean

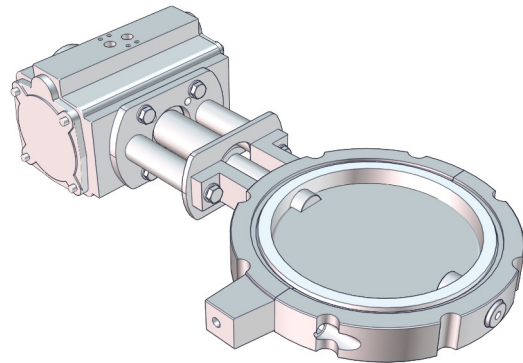


This is not an equipment according ATEX-directive 2014/34/EU, but in contact with product (inside) usable in the zones 20-21-22. Additional electrical parts must be approved for the chosen ATEX-zone.

Options:

1. With silicone seal joint 200 °C
2. With inductive detector
3. With Atex Ex II 2D electro mechanical limit switches.
4. With Atex Ex II 2D inductive detector
5. With Atex Ex II 2D Electromagnetic joint control board
6. -
-
-
-
7. Plate with 1.4404 stainless steel shafts for DN 350, 400, 500.
8. With Atex Ex II 3D electro mechanical limit switches.
9. With Atex Ex II 3D inductive detector
10. With Atex Ex II 3D Electromagnetic joint control board

11. With offset drive



Associated documents:

3D-part: Type.step (e.g. : **DKD20C01**. Step)
2D layout drawing: Type.dxf (e.g. : **DKD20C01**. dxf)
Selection guide: SG-FSP-FSH-DKA-DKA-D-DKH-DKD
Price list: PL-DKA-D-Clean
list of drawing numbers: Draw-No-List_DKA-D-Clean



solids solutions group
www.solids.eu