



# Datasheet solids - Butterfly Valve DKH - Clean

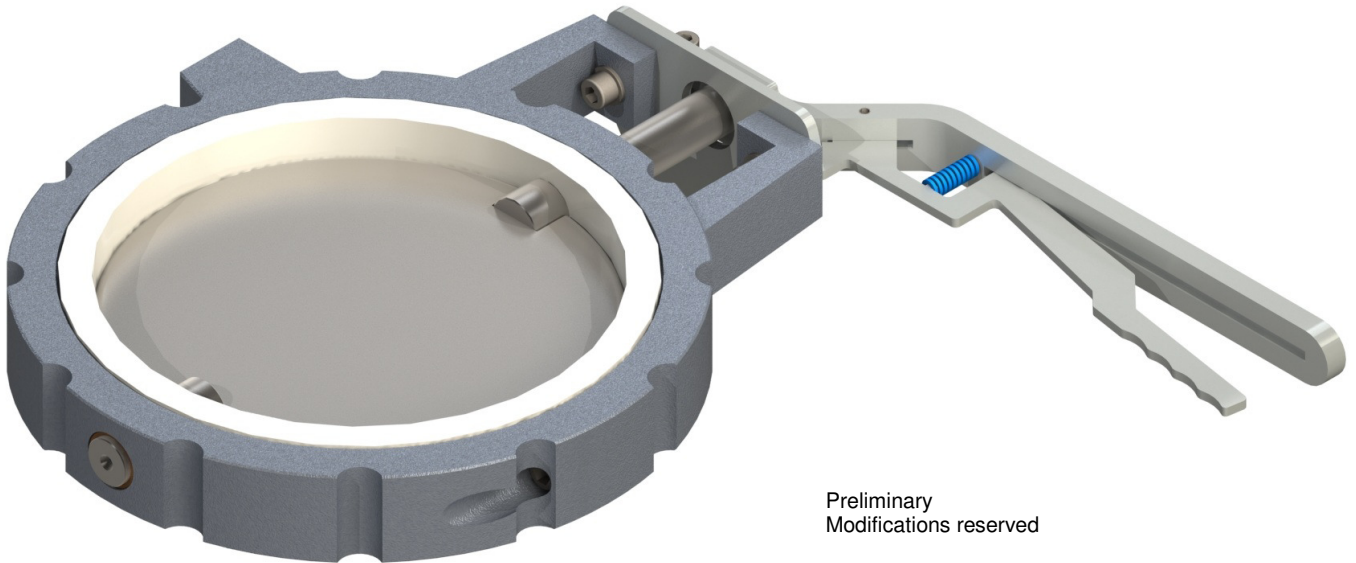


Part of **HOSOKAWA ALPINE**

## Special design for bulk solids

### Operation purpose:

The valve is dust tight, pressure tight and suitable for vacuum; for sealing silos, vessels and pipelines.



Preliminary  
Modifications reserved

### Advantages:

- TÜV certified and approved as pressure equipment directive according to 2014/68/EU directive
- Simple, cost effective assembly
- Less installation height
- Easily replaceable seal due to the vertically split housing
- Easy to maintain

Approval	HSS ES		HSS DE	
	Date: 08.02.21	Sign: Ru	Date: 10.2.21	Sign: Le

**Hosokawa solids solutions**  
[www.solids.eu](http://www.solids.eu)





# Datasheet solids - Butterfly Valve DKH - Clean



Part of **HOSOKAWA ALPINE**

## Operating conditions:

Maximum product temperature: 80°C.

Maximum / minimum ambient temperature:  $-25\text{ °C} \leq T \leq 80\text{ °C}$ .

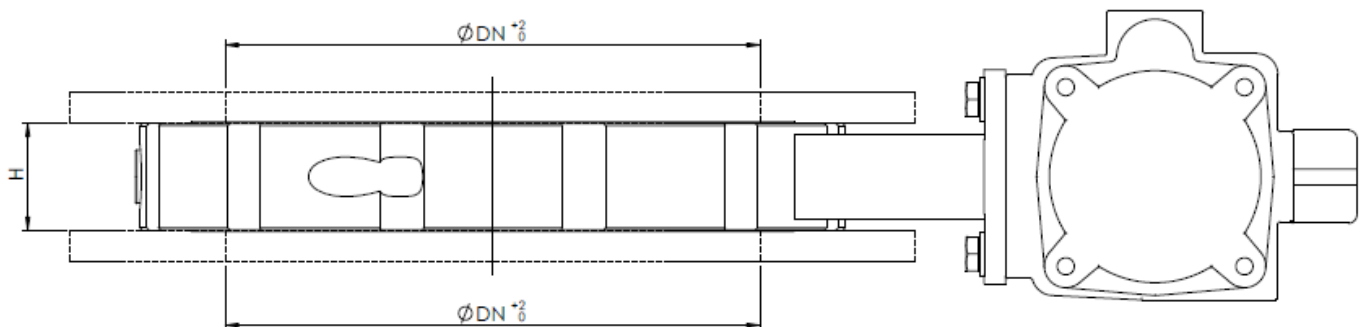
Suitable for vacuum up to 0,1 bar absolute.

Bulk solid data:

Powder form up to medium hardness.

Free flowing up to medium flowing products.

Type	DN (mm)	Seal tightness	H (mm)	Weight (kg)
<b>DKH05C01</b>	DN 50	3 bar	20	1
<b>DKH08C01</b>	DN 80	3 bar	20	1,5
<b>DKH10C01</b>	DN 100	3 bar	24	2
<b>DKH12C01</b>	DN 125	3 bar	28.6	2,5
<b>DKH15C01</b>	DN 150	3 bar	32	3
<b>DKH20C01</b>	DN 200	3 bar	40	6
<b>DKH25C01</b>	DN 250	3 bar	50	9
<b>DKH30C01</b>	DN 300	3 bar	60	14
<b>DKH35C01</b>	DN 350	1,5 bar	60	20
<b>DKH40C01</b>	DN 400	1,5 bar	70	28
<b>DKH50C01</b>	DN 500	1.5 bar	80	38



The device described below does not have any source of ignition. Therefore, it does not apply the ATEX Directive 2014/34/EU and are authorized to contain potentially explosive atmospheres (zones 20-21-22) inside.

The electrical equipment must be specified separately and duly certified for the corresponding ATEX zone.

**Hosokawa solids solutions**  
[www.solids.eu](http://www.solids.eu)



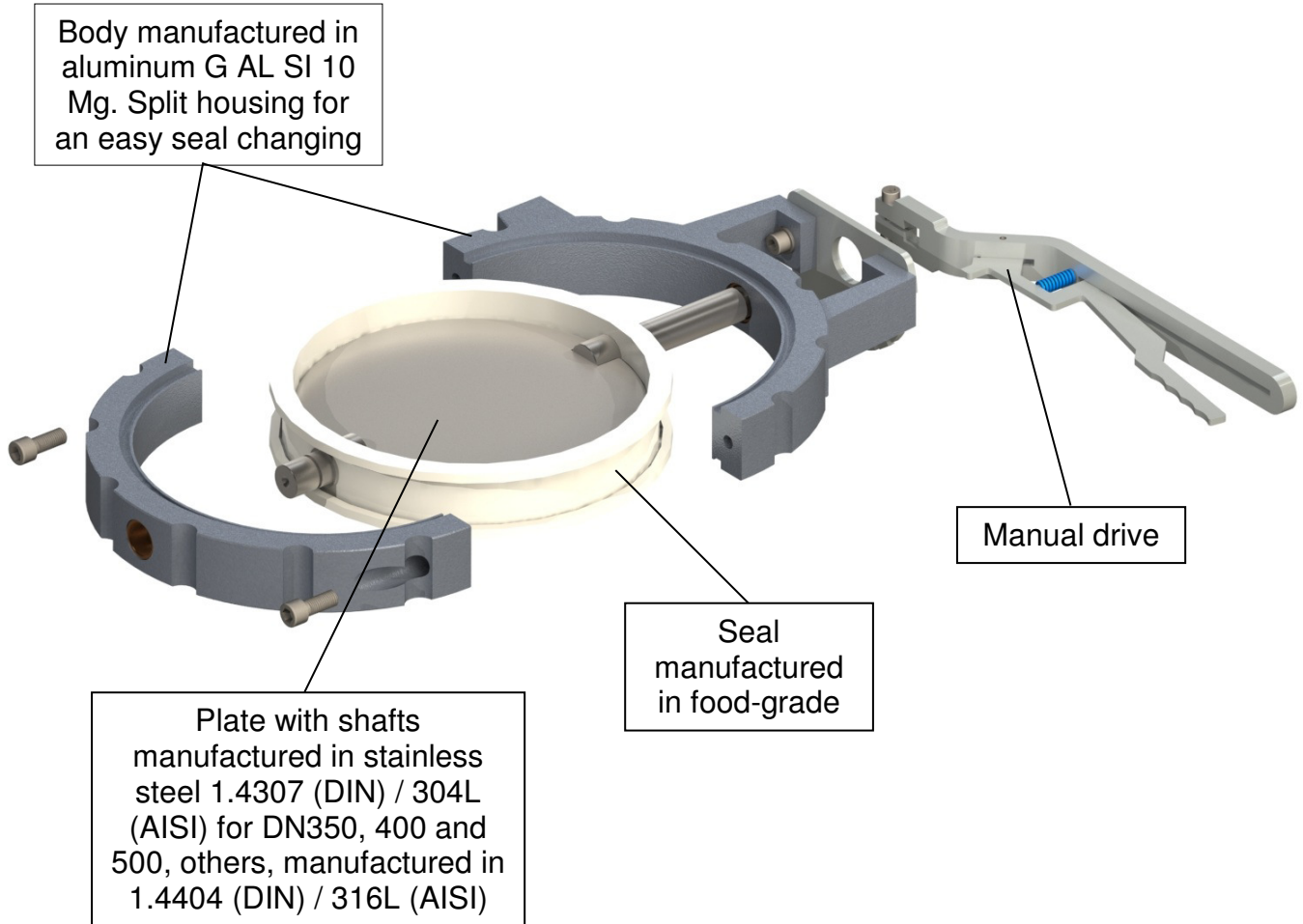


# Datasheet solids - Butterfly Valve DKH - Clean



Part of **HOSOKAWA ALPINE**

## Basical version:



Assembly between PN6 or PN10 flanges according to DIN 2373 or DIN 2576 respectively, with special inner diameter, same as the nominal diameter of the valve.

Surface treatment:

Body: epoxy oven-cured powder coating, 180µm.

Plate: stripped and passivated.

**Hosokawa solids solutions**  
[www.solids.eu](http://www.solids.eu)





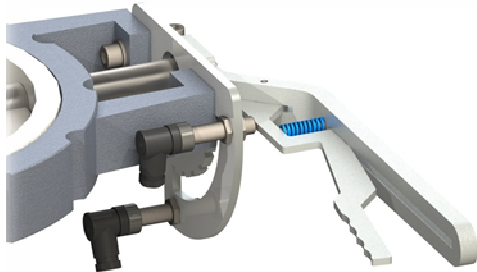
## Datasheet solids - Butterfly Valve DKH - Clean



Part of **HOSOKAWA ALPINE**

### Options:

1. Plate and shafts manufactured in stainless steel 1.4404 (DIN) / 316L (AISI) for DN350, 400 and 500.
2. With sealing manufactured in silicon, suitable for maximum product temperature up to 200°C.
3. With a steel sealing, for product temperature higher than 200°C, dust tight. Manufactured in stainless steel 1.4307 (DIN) / 304L (AISI).
4. –
5. With inductive sensors.
6. –
7. With inductive sensor suitable for zone 21 Atex EX II 2D.
8. –
9. –
10. With inductive sensor suitable for zone 22 Atex EX II 3D.



### Related documents:

3D-Part: Type.step (example: **DKH15C01**. Step)  
2D-planning drawing: Type.dxf (example: **DKH15C01**. dxf)  
Selection criteria: SG-FSP-FSH-DKA-DKH  
Pricelist: PL-DKH-Clean  
List of drawing numbers: Draw-No-List\_DKH-Clean

**Hosokawa solids solutions**  
[www.solids.eu](http://www.solids.eu)

