



Datasheet

Solids - Slide Gate

FSH-Clean



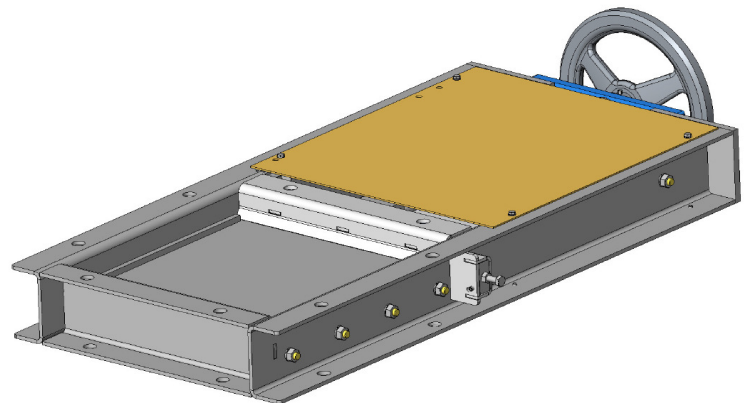
Operating conditions:

- Dust tight. Max. temperature: 250°C
- Max./min. ambient temperature: $-30\text{ °C} \leq T \leq 50\text{ °C}$
- Solid to bulk data: Particle size: powders and granules up to 20mm, medium hardness
Fluidity: for products up to very difficult flowing

Type	Input/Output	Height	Weight
FSH015C01	150x150 mm	100 mm	26 kg
FSH020C01	200x200 mm	100 mm	30 kg
FSH025C01	250x250 mm	100 mm	34 kg
FSH030C01	300x300 mm	100 mm	40 kg
FSH035C01	350x350 mm	100 mm	45 kg
FSH040C01	400x400 mm	100 mm	51 kg
FSH045C01	450x450 mm	100 mm	58 kg
FSH050C01	500x500 mm	100 mm	63 kg
FSH060C01	600x600 mm	100 mm	77 kg
FSH070C01	700x700 mm	120 mm	120 kg
FSH080C01	800x800 mm	120 mm	150 kg

Basical version:

- Structure made of stainless steel 1.4306 (DIN) / 304L (AISI)
- Flanges with holes according dimension sheet
- Shear plate: stainless steel 1.4306 (DIN) / 304L (AISI)
- Cover plate: carbon steel
- Aramid fiber gasket with PTFE
- With handwheel
- Surface treatment: Pickled or brushed and passivated



This is not an equipment according ATEX-directive 2014/34/EU, but in contact with product (inside) usable in the zones 20-21-22. Additional electrical parts must be approved for the chosen ATEX-zone.

approval	MIGSA	SST	Mr. Linder
	date: sign:	date: sign:	date: sign:

Preliminary
Modifications reserved



solids solutions group
www.solids.eu



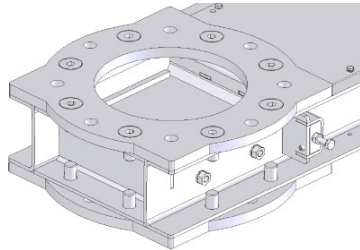
Datasheet Solids - Slide Gate FSH-Clean



Options:

1. With round inlets and outlets with PN6 flange

2. With round inlets and outlets with PN10 flange



3. With wheel and chain drive



4. Airtight at 0,5 bar and minus 100 mbar underpressure

5. With 2 inductive detectors M12



6. Parts in contact with product made of 1.4404 (DIN) / 316L (AISI)

7. electrical parts outside for zone 2/22

8. electrical parts outside for zone 1/21

Associated documents:

3D-part: Type.step (e.g. : **FSH020C01**. Step)

2D layout drawing: Type.dxf (e.g. : **FSH020C01**. dxf)

Selection guide: SG-FSP-FSH-DKA-DKH

Price list: PL-FSH-Clean

list of drawing numbers: Draw-No-List_FSH-Clean



solids solutions group
www.solids.eu