



# Datasheet

## Solids- Slide Gate

### FSP-Clean



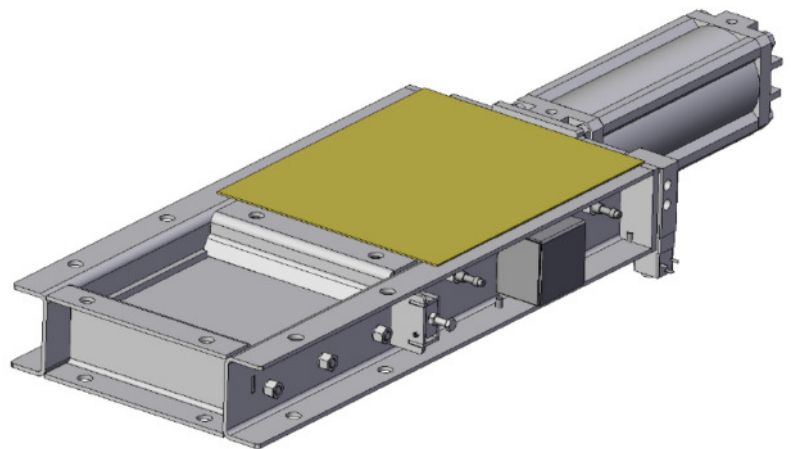
### Operating conditions:

- Dust tight. Max. temperature.:250°C
- Min/Max ambient temperature: -20°C ≤ T ≤ +50°C
- Solid to bulk data: Particle size: powders and granules up to 20mm, medium hardness  
Fluidity: for products up to very difficult flowing

Type	Input/Output	Height	Weight
FSP015C01	150x150 mm	100 mm	31 kg
FSP020C01	200x200 mm	100 mm	37 kg
FSP025C01	250x250 mm	100 mm	42 kg
FSP030C01	300x300 mm	100 mm	50 kg
FSP035C01	350x350 mm	100 mm	58 kg
FSP040C01	400x400 mm	100 mm	69 kg
FSP045C01	450x450 mm	100 mm	75 kg
FSP050C01	500x500 mm	100 mm	83 kg
FSP060C01	600x600 mm	100 mm	100 kg
FSP070C01	700x700 mm	120 mm	160 kg
FSP080C01	800x800 mm	120 mm	200 kg

### Basical version:

- Structure made of stainless steel 1.4306 (DIN) / 304L (AISI)
- Flanges with holes according dimension sheet
- Shear plate: stainless steel 1.4306 (DIN) / 304L (AISI)
- Cover plate carbon steel.
- Aramid fiber gasket with PTFE
- Directly coupled double effect pneumatic cylinder
- Surface treatment: Pickled or brushed and passivated



This is not an equipment according ATEX-directive 2014/34/EU, but in contact with product (inside) usable in the zones 20-21-22. Additional electrical parts must be approved for the chosen ATEX-zone.

approval	MIGSA		SST		Mr. Linder	
	date:	sign:	date:	sign:	date:	sign:

Preliminary  
Modifications reserved



**solids solutions group**  
[www.solids.eu](http://www.solids.eu)



## Datasheet

# Solids- Slide Gate

### FSP-Clean



### Options:

1. With round inlets and outlets with PN6 flange

2. With round inlets and outlets with PN10 flange

3. Mechanical limit switches

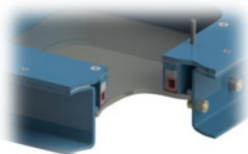
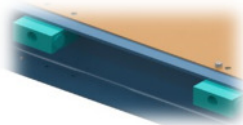
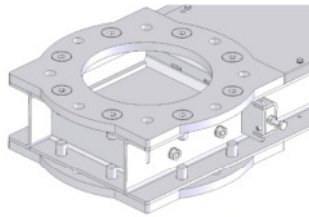
4. Inductive detectors M12

5. Magnetic detectors

6. solenoid valve for cylinder control

7. Sealtight. With inflatable silicon seal, 3bar sealed.

8. With electropneumatic unit for seal pressur



9. Airtight at 0,5 bar and minus 100 mbar underpressure

10. parts in contact with product made of stainless steel 1.4404 (DIN) / 316L (AISI)

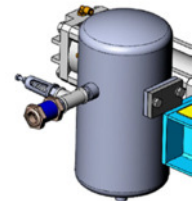
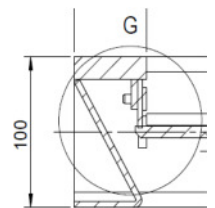
11. Intermediate position with an additional inductive detector and pneumatic installation, consisting of 2 solenoid valves, check valve and throttle

12. Coarse product baffle to prevent from jam coarse particles

13. electrical parts outside for zone 2/22

14. electrical parts outside for zone 1/21

15. Air tank and electro pneumatic installation for opening or closing the slide gate in case of power failure



### Associated documents:

3D-part: Type.step (e.g. : **FSP020C01**. Step)

2D layout drawing: Type.dxf (e.g. : **FSP020C01**. dxf)

Selection guide: SG-FSP-FSH-DKA-DKH

Price list: PL-FSP-Clean

list of drawing numbers: Draw-No-List\_FSP-Clean



**solids solutions group**  
[www.solids.eu](http://www.solids.eu)