



# Datasheet solids - Hopper Scale BSG-Basic



**High precision weighing and dosing of bulk solids, also several components per batch**

## Operation purpose:

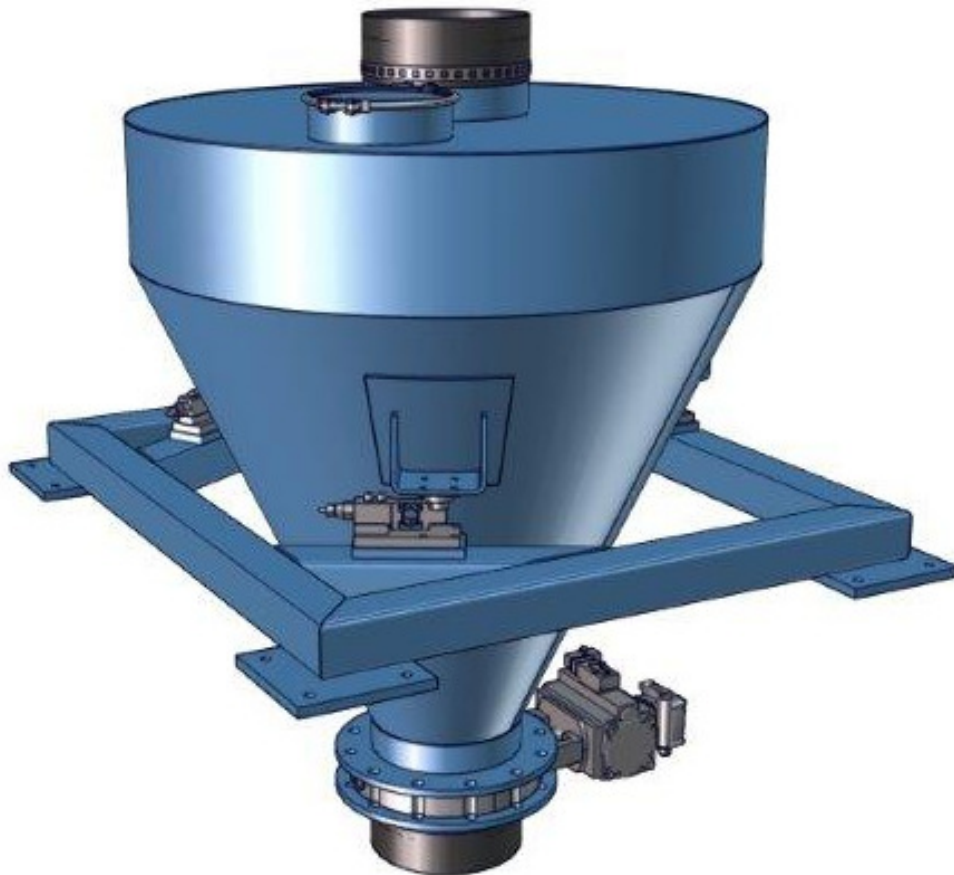
Weighing hopper complete equipped.

Batch operation, optional continuous operation.

Filling of bulk solid under atmospheric conditions, composing batches.

Weighing of the filled in quantity.

Then discharge of the bulk solid, batch dosing.



- **Safe and trouble-free automatic metering**
- **High precision weighing, also small batches**
- **Also in constricted rooms**
- **High process safety since all components are handled automatically**
- **Low-dust material handling**
- **Complete emptying**

|           |       |                 |           |
|-----------|-------|-----------------|-----------|
| approval: | MIGSA | SST             | H. Linder |
| Date:     | Sign: | Date: 25.7.2016 | Sign: Le  |
|           |       | Date: 25.7.2016 | Sign: Li  |

Preliminary  
modifications reserved

**solids solutions group**  
[www.solids.eu](http://www.solids.eu)



# Datasheet solids - Hopper Scale BSG-Basic



## Operating conditions:

- Permissible operating pressure: >0,9 bar absolute until 100 mbar overpressure
- Product temperature max.: 65° C
- Max/Min ambient temperature: -10 °C ≤ T ≤ 50 °C
- Bulk solids data: Powdered till granulates, every hardness, up to limited flowing products

| Type               | Inlet Ø /<br>Outlet Ø | Height  | geom.<br>Volume      | Weighing range<br>netto | Weight |
|--------------------|-----------------------|---------|----------------------|-------------------------|--------|
| <b>BSG00505B01</b> | 200 mm *              | 1300 mm | 50 dm <sup>3</sup>   | 80 kg                   | 180 kg |
| <b>BSG01207B01</b> | 200 mm *              | 1050 mm | 125 dm <sup>3</sup>  | 300 kg                  | 230 kg |
| <b>BSG02507B01</b> | 200 mm *              | 1360 mm | 250 dm <sup>3</sup>  | 300 kg                  | 260 kg |
| <b>BSG03507B01</b> | 200 mm *              | 1600 mm | 350 dm <sup>3</sup>  | 1000 kg                 | 280 kg |
| <b>BSG04510B01</b> | 250 mm *              | 1420 mm | 450 dm <sup>3</sup>  | 1000 kg                 | 300 kg |
| <b>BSG06510B01</b> | 250 mm *              | 1680 mm | 650 dm <sup>3</sup>  | 1000 kg                 | 350 kg |
| <b>BSG09010B01</b> | 250 mm *              | 2000 mm | 900 dm <sup>3</sup>  | 1000 kg                 | 400 kg |
| <b>BSG10013B01</b> | 350 mm *              | 1750 mm | 1000 dm <sup>3</sup> | 2000 kg                 | 450 kg |
| <b>BSG15013B01</b> | 350 mm *              | 2100 mm | 1500 dm <sup>3</sup> | 2000 kg                 | 500 kg |
| <b>BSG20013B01</b> | 350 mm *              | 2500 mm | 2000 dm <sup>3</sup> | 4000 kg                 | 550 kg |
| <b>BSG25018B01</b> | 350 mm *              | 2300 mm | 2500 dm <sup>3</sup> | 4000 kg                 | 600 kg |
| <b>BSG40018B01</b> | 350 mm *              | 2900 mm | 4000 dm <sup>3</sup> | 6000 kg                 | 700 kg |
| <b>BSG55018B01</b> | 350 mm *              | 3500 mm | 5500 dm <sup>3</sup> | 10000 kg                | 800 kg |

\* different outlet Ø see options

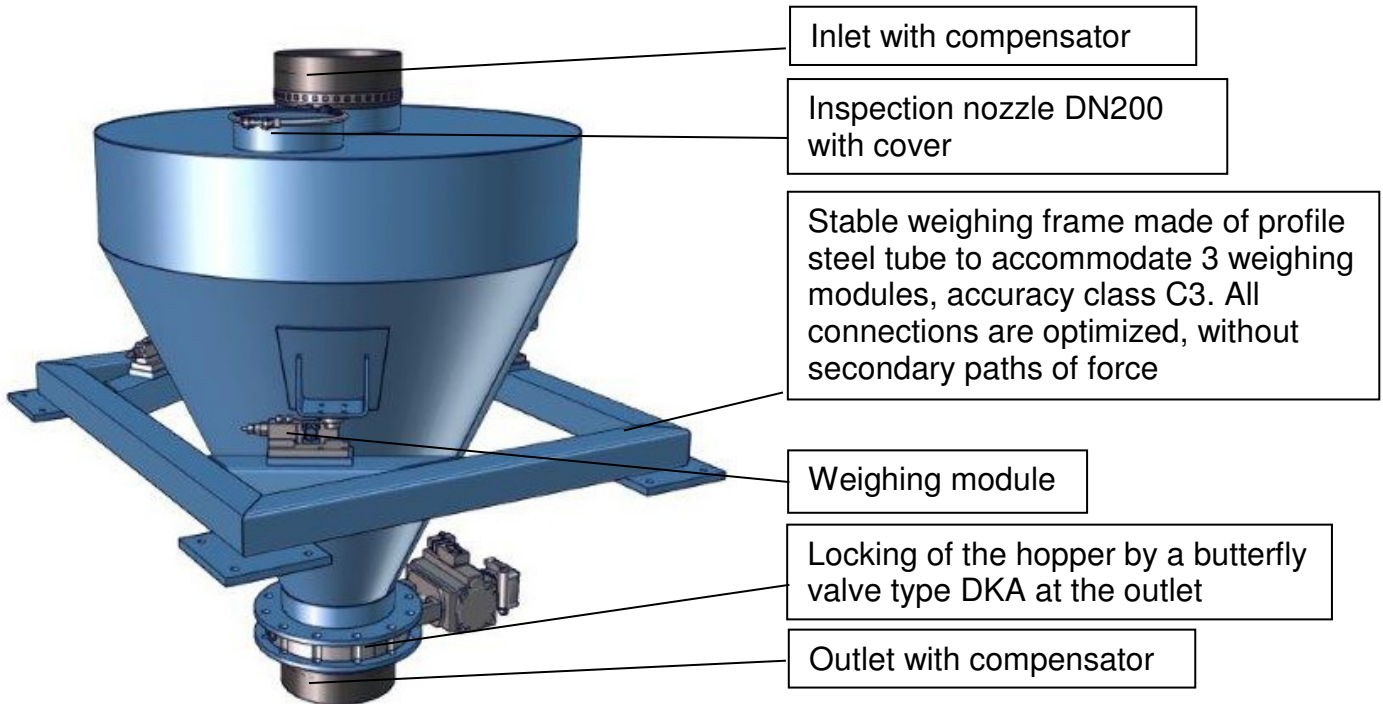


# Datasheet solids - Hopper Scale BSG-Basic



## Basical version:

- Welded steel construction – carbon steel
- Surface treatment: Chemical stripped, primer 40 µm zinc phosphate, top coat 40 µm 2-component polyurethane, RAL5012 blue



This is not an equipment according ATEX-directive 2014/34/EU, but in contact with product (inside) usable in the zones 20-21-22. Additional electrical parts must be approved for the chosen ATEX-zone.

## Electrical parts:

| Denomination  | Manufacturer | Type     |
|---|--------------|----------|
| 3 load cells  | Flintec      | SB4, SB6 |
| Electrical parts for the butterfly valve: see datasheet by the manufacturer |              |          |

**solids solutions group**  
[www.solids.eu](http://www.solids.eu)

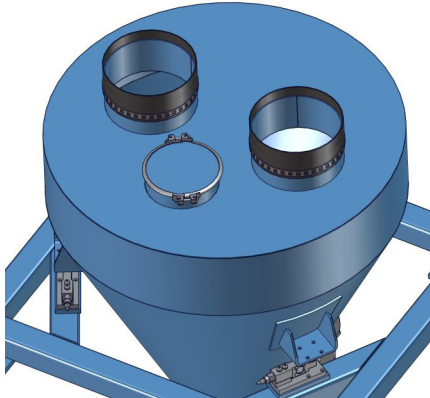


# Datasheet solids - Hopper Scale BSG-Basic

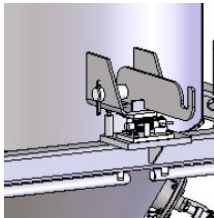


## Options:

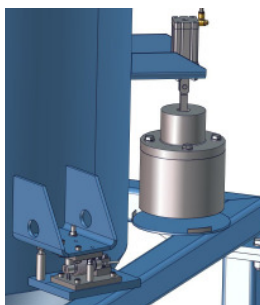
1. Electrical components outside suitable for Zone 2/22, with earthing
2. Electrical components outside suitable for Zone 1/21, with earthing
3. 1 more inlet with compensator



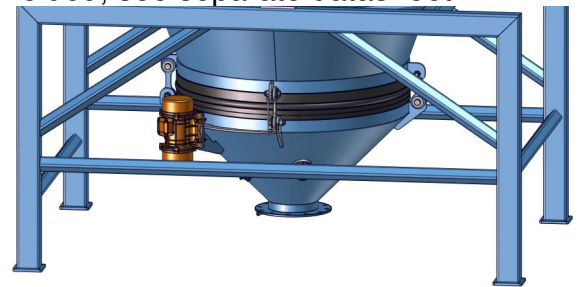
4. Different inlet  $\varnothing$
5. Different outlet  $\varnothing$
6. Device and balance with test weights



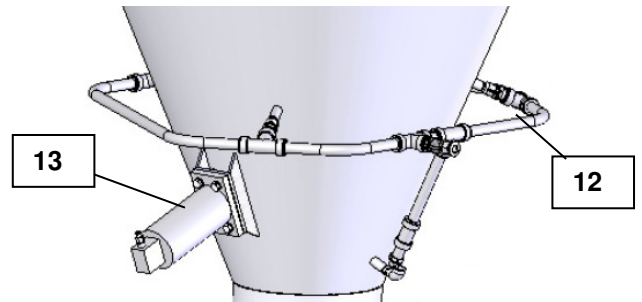
7. Device and automatic balance with test weights



8. Wiring to terminal box
9. Full level indicator as additional overflow protection
10. Anti-adhesion coating inside
11. Discharge aid: vibration cone type EVS for difficult flowing products, directly welded, see separate datasheet



12. Discharge aid: ventilation with vibra-pads including pneumatic installation



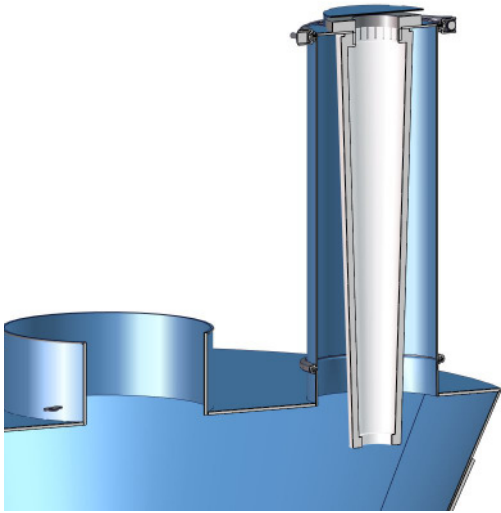
13. Pneumatic knocker on the cone with his installation
14. Abrasion protection made of Hardox at Mohs-hardness  $>4$



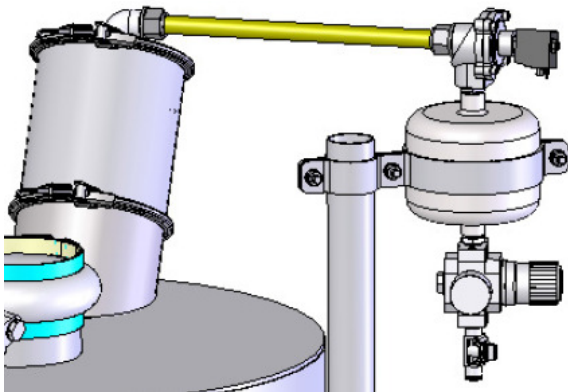
# Datasheet solids - Hopper Scale BSG-Basic



15. Filter, without cleaning



16. Filter, with cleaning device

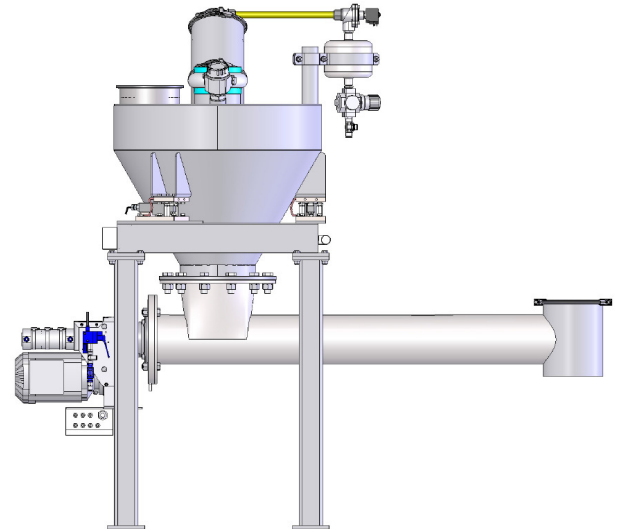


17. Connection set for aspiration on site, consisting of connection nozzle to a hopper, compensator, T-pipe, leak air valve with suction filter and support on a lower framework

18. Lower framework for supporting the scale on a foundation on site, max. 2m high

19. Loss-in-weight scale batch:  
No butterfly valve at the hopper outlet, with metering screw type DSCB-Basic, see separate datasheet, batch operation

| Option number | Metering screw type |
|---------------|---------------------|
| 19.1          | DSCB08001B01        |
| 19.2          | DSCB10001B01        |
| 19.3          | DSCB12501B01        |
| 19.4          | DSCB15002B01        |
| 19.5          | DSCB20005B01        |





# Datasheet solids - Hopper Scale BSG-Basic



## 20. Loss-in-weight scale batch:

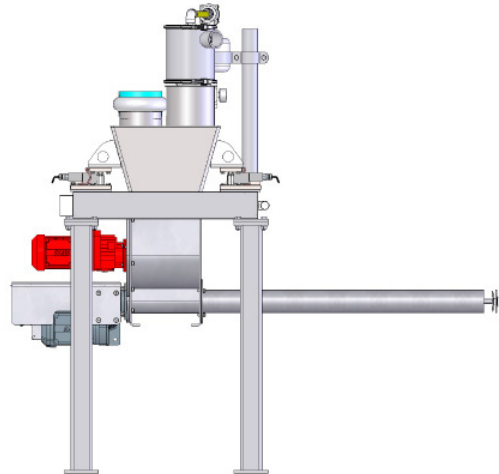
No butterfly valve at the hopper outlet, with vibration metering screw type DSVB-Basic, mounted at the optional vibration cone, see separate datasheet, batch operation

| Option number | Metering screw type |
|---------------|---------------------|
| 20.1          | DSVB08001B01        |
| 20.2          | DSVB10001B01        |
| 20.3          | DSVB12501B01        |
| 20.4          | DSVB15002B01        |
| 20.5          | DSVB20005B01        |

## 21. Loss-in-weight scale batch:

No butterfly valve at the hopper outlet, with metering screw type DSA-Clean PreciDos, see separate datasheet, batch operation

| Option number | Metering screw type |
|---------------|---------------------|
| 21.1          | DSA06507C01         |
| 21.2          | DSA08015C01         |
| 21.3          | DSA10030C01         |



## 22. Loss-in-weight scale batch:

No butterfly valve at the hopper outlet, with metering screw type DSR-Basic, see separate datasheet, batch operation

| Option number | Metering screw type |
|---------------|---------------------|
| 22.1          | DSR08001B01         |
| 22.2          | DSR10001B01         |
| 22.3          | DSR12501B01         |
| 22.4          | DSR15002B01         |
| 22.5          | DSR20004B01         |
| 22.6          | DSR25009B01         |
| 22.7          | DSR30015B01         |

### Related documents:

3D-Part: Type.step (example: **BSG04510B01**. Step)

2D-planning drawing: **BSG04510B01**. dxf)

Selection criteria: SG-BSG

Pricelist: PL-BSG-Basic

Draw-No-List\_BSG-Basic

**solids solutions group**  
[www.solids.eu](http://www.solids.eu)