



Selectionsheet

Big-Bag-Discharger Type BBD / BAB / SBD

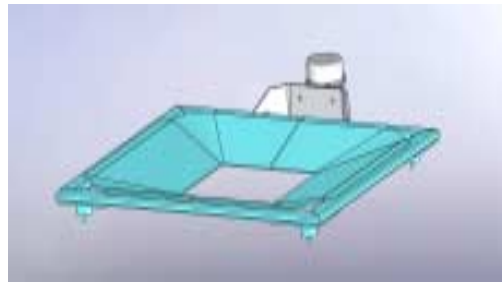
S.S.T. Schüttguttechnik
Maschinenbau GmbH
Lechwiesenstr. 21
D-86899 Landsberg

Tel. 08191-33 59 50
Fax 08191-33 59 55
e-mail: SST@solids-service.de

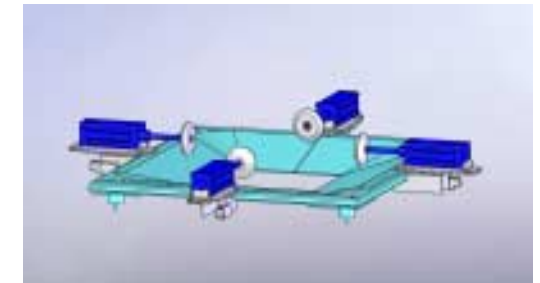
Modules:



Big-bag-support plate with rubber buffer, retrofit vibrator



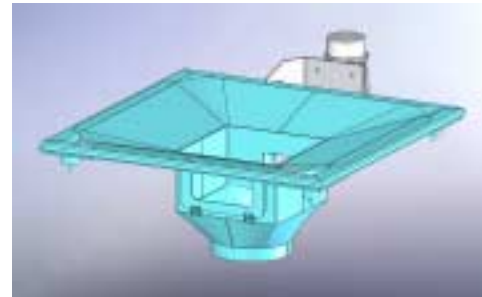
Discharge aid vibration hopper with unbalanced motor



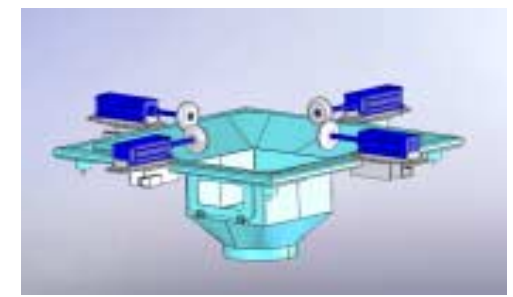
Discharge aid tumbling device with pneumatic cylinder and punching tool



Big-bag- support plate with door to open the big-bags



Vibration hopper with door to open the big-bags



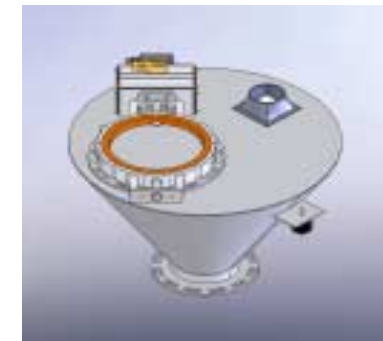
Big-bag-support plate with with door and punching tool as discharge aid



Dust-tight docking, operated manually



Dust-tight docking, operated pneumatically with clamping device



Storage hopper with butterfly valve to shut off



Selectionsheet

Big-Bag-Discharger Type BBD / BAB / SBD

S.S.T. Schüttguttechnik
Maschinenbau GmbH
Lechwiesenstr. 21
D-86899 Landsberg

Tel. 08191-33 59 50

Fax 08191-33 59 55

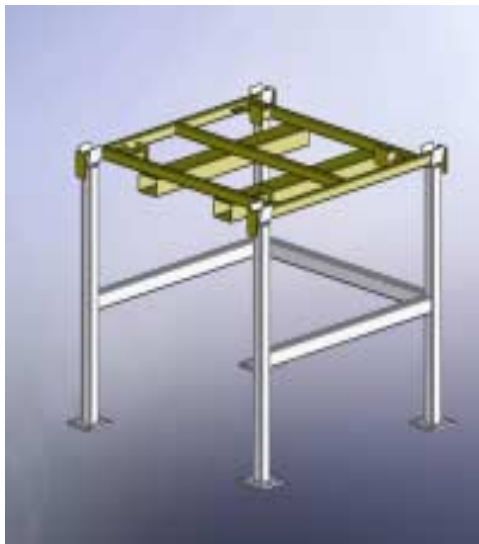
e-mail: SST@solids-service.de



Lower frame support



Lower frame support with double-rocker and tumble-frame as a discharge aid



Upper frame support for big-bag-setting with forklift



Upper frame support for big-bag-setting with crane



Selectionsheet

Big-Bag-Discharger Type BBD / BAB / SBD

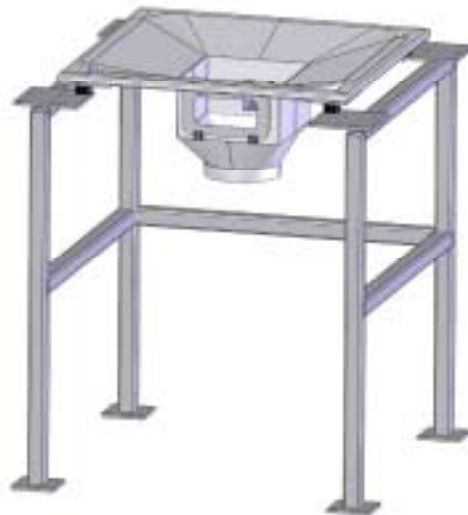
S.S.T. Schüttguttechnik
Maschinenbau GmbH
Lechwiesenstr. 21
D-86899 Landsberg

Tel. 08191-33 59 50
Fax 08191-33 59 55
e-mail: SST@solids-service.de

Combinations:



Economic solution:
Big-bag-support plate with lower frame support



Example: Type BBD, with double-rocker and tumble-frame as a discharge aid, dust-tight docking, valve, hopper scale, precision dosing unit PreciDos



Example: with vibration hopper, dust-tight docking, , valve, storage hopper, metering feed screw



Selectionsheet

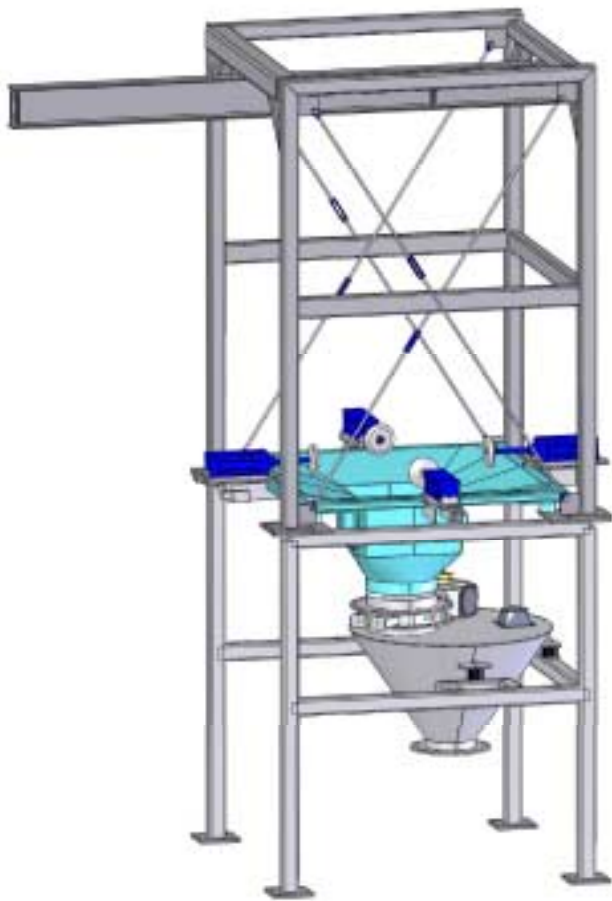
Big-Bag-Discharger Type BBD / BAB / SBD

S.S.T. Schüttguttechnik
Maschinenbau GmbH
Lechwiesenstr. 21
D-86899 Landsberg

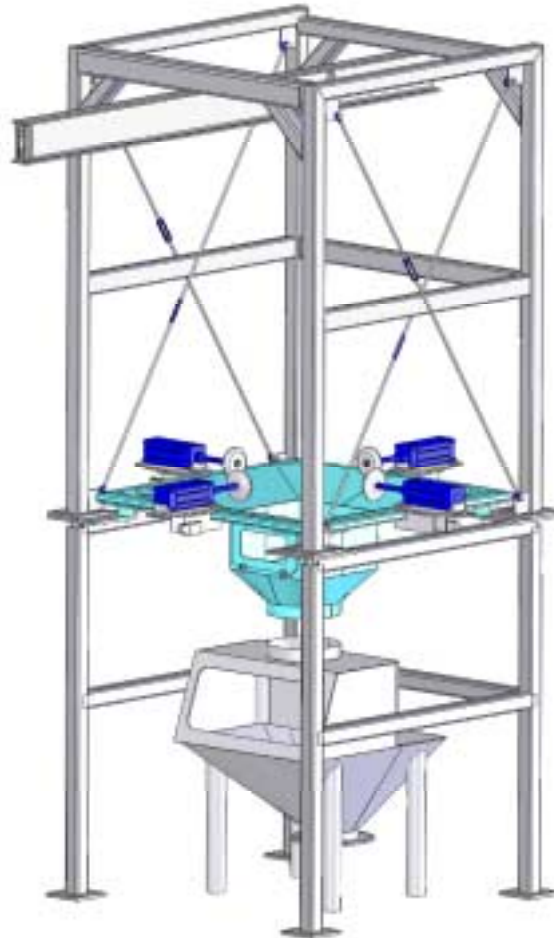
Tel. 08191-33 59 50

Fax 08191-33 59 55

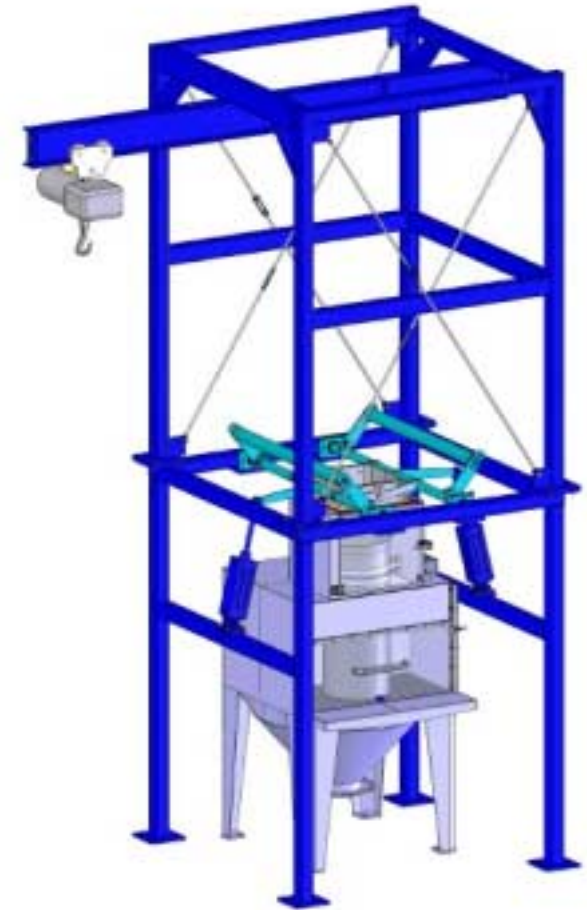
e-mail: SST@solids-service.de



Example: Type BAB, Discharge aid tumbling device with pneumatic cylinder and punching tool, outlet hopper



Example: Type BAB, Discharge aid tumbling device with pneumatic cylinder and punching tool, combination with simple sack discharge for exhaustion by customers



Example: Type SBD, combination big-bag and sack discharge with Inline dust-capture (integrated filter with exhaustion)