

# solids Big-Bag Discharger Type BAB with a Buffer Container



**Low-dust emptying of all types of big-bags,  
Complete solution: big-bag delivery, emptying and buffer container**



## **Advantages:**

- **Fail-safe**
- **Efficient working without interrupting the process: the buffer container can be used for discharging when changing a big-bag**
- **Easy-to-operate due to wide pivoted doors**
- **Less dust due to a special seal between the big-bag bottom and the support shell, connection to extraction provided by customer or additional extraction filter**
- **Low maintenance**

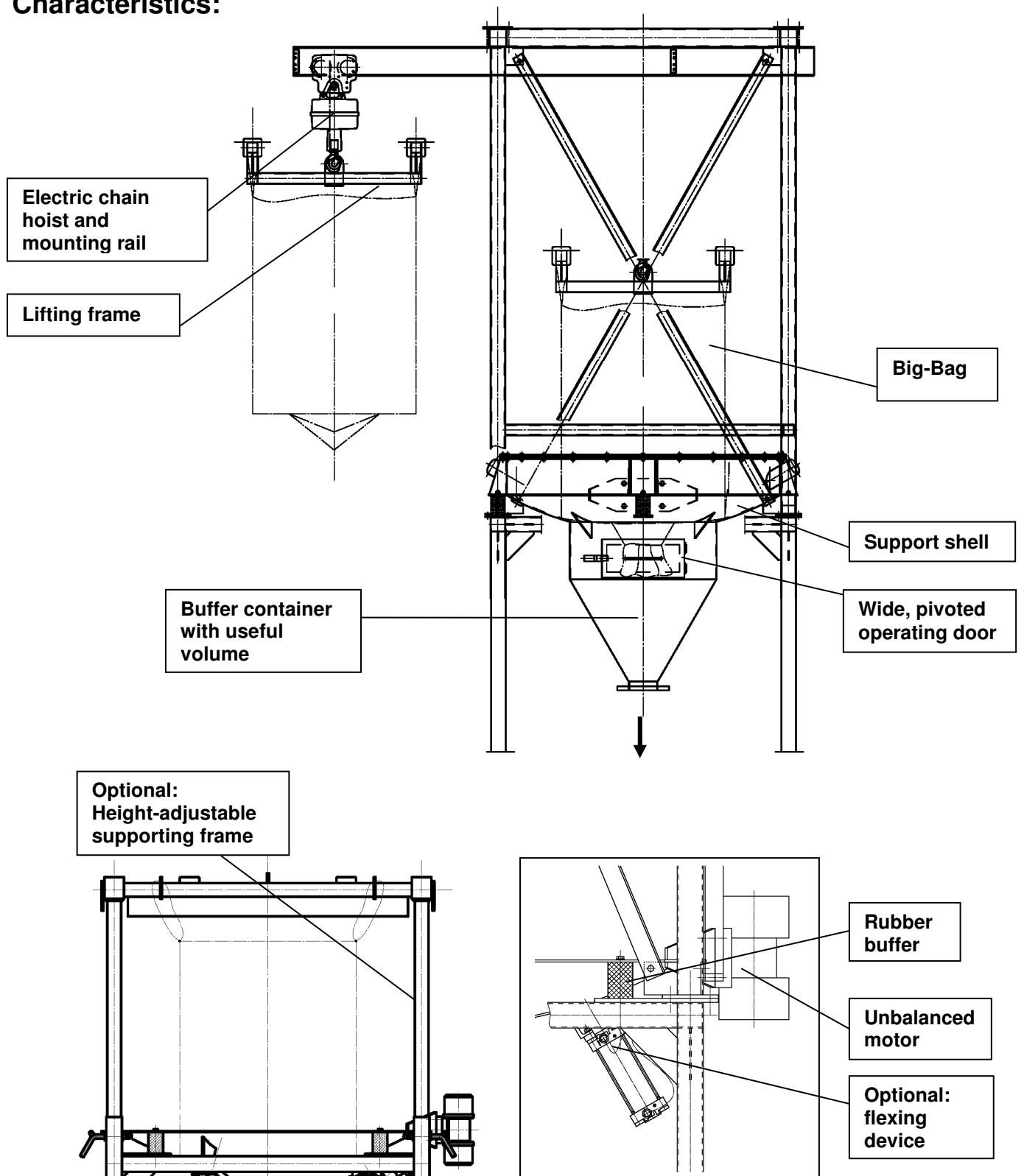
**S.S.T.-Schüttguttechnik Maschinenbau GmbH**  
Lechwiesenstr. 21, 86899 Landsberg / Lech  
Tel. 0049 (0)8191-3359-50 / Fax 0049 (0)8191-3359-55  
E-mail [SST@solids-service.de](mailto:SST@solids-service.de) [www.solids.de](http://www.solids.de)



# solids Big-Bag Discharger Type BAB with a Buffer Container



## Characteristics:



**S.S.T.-Schüttguttechnik Maschinenbau GmbH**  
 Lechwiesenstr. 21, 86899 Landsberg / Lech  
 Tel. 0049 (0)8191-3359-50 / Fax 0049 (0)8191-3359-55  
 E-mail [SST@solids-service.de](mailto:SST@solids-service.de) [www.solids.de](http://www.solids.de)



**solids Big-Bag Discharger  
Type BAB with a Buffer Container**

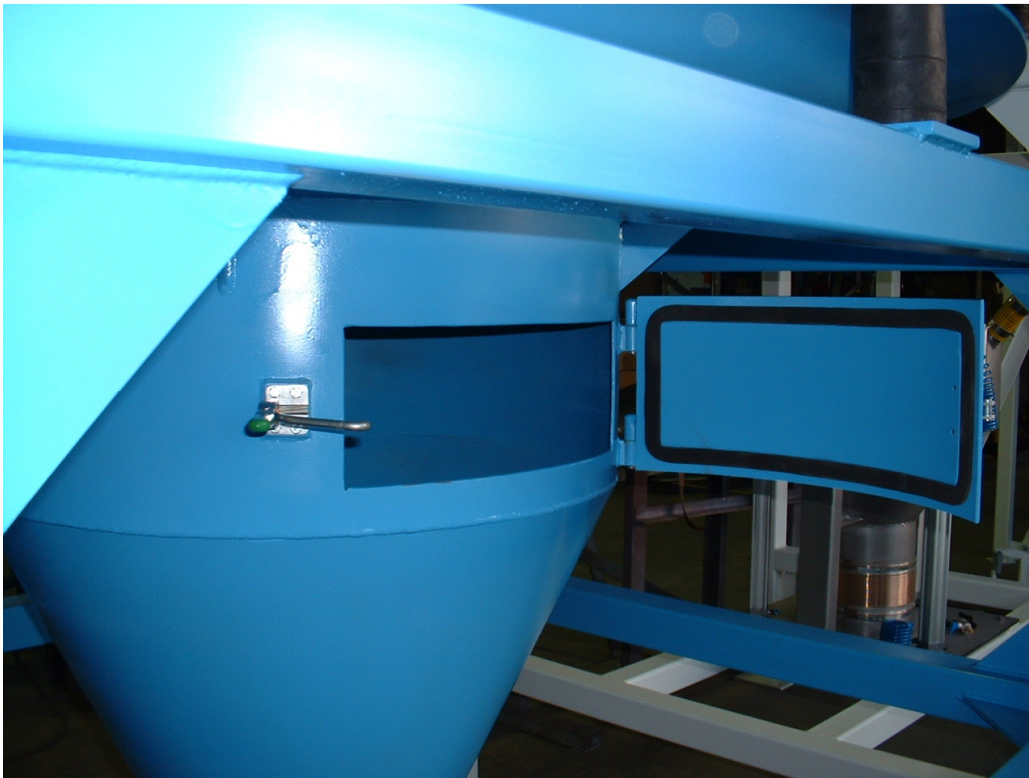


Image: Buffer container with operating doors

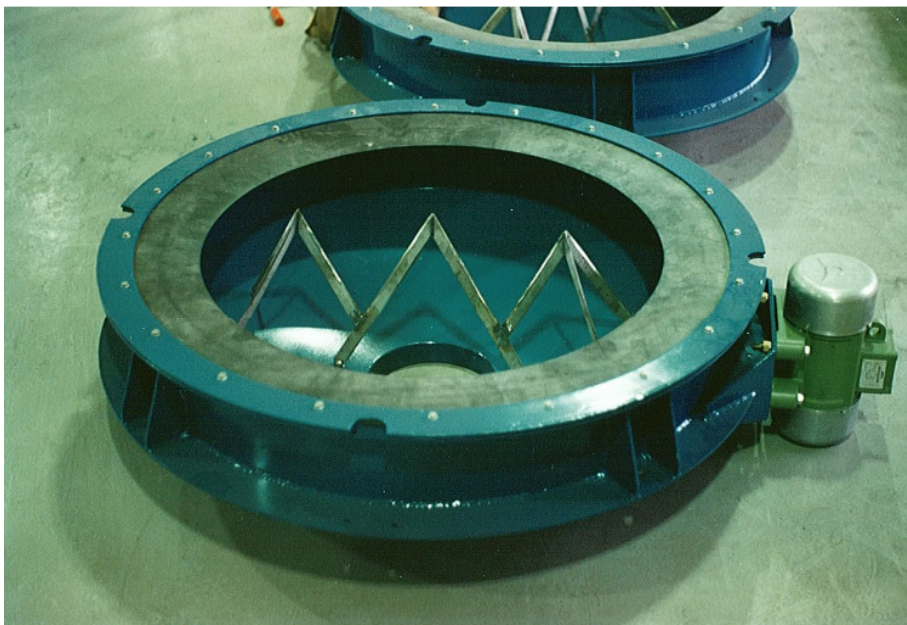


Image: Knives to open one-way-bags

**S.S.T.-Schüttguttechnik Maschinenbau GmbH**  
Lechwiesenstr. 21, 86899 Landsberg / Lech  
Tel. 0049 (0)8191-3359-50 / Fax 0049 (0)8191-3359-55  
E-mail [SST@solids-service.de](mailto:SST@solids-service.de) [www.solids.de](http://www.solids.de)



# solids Big-Bag Discharger Type BAB with a Buffer Container

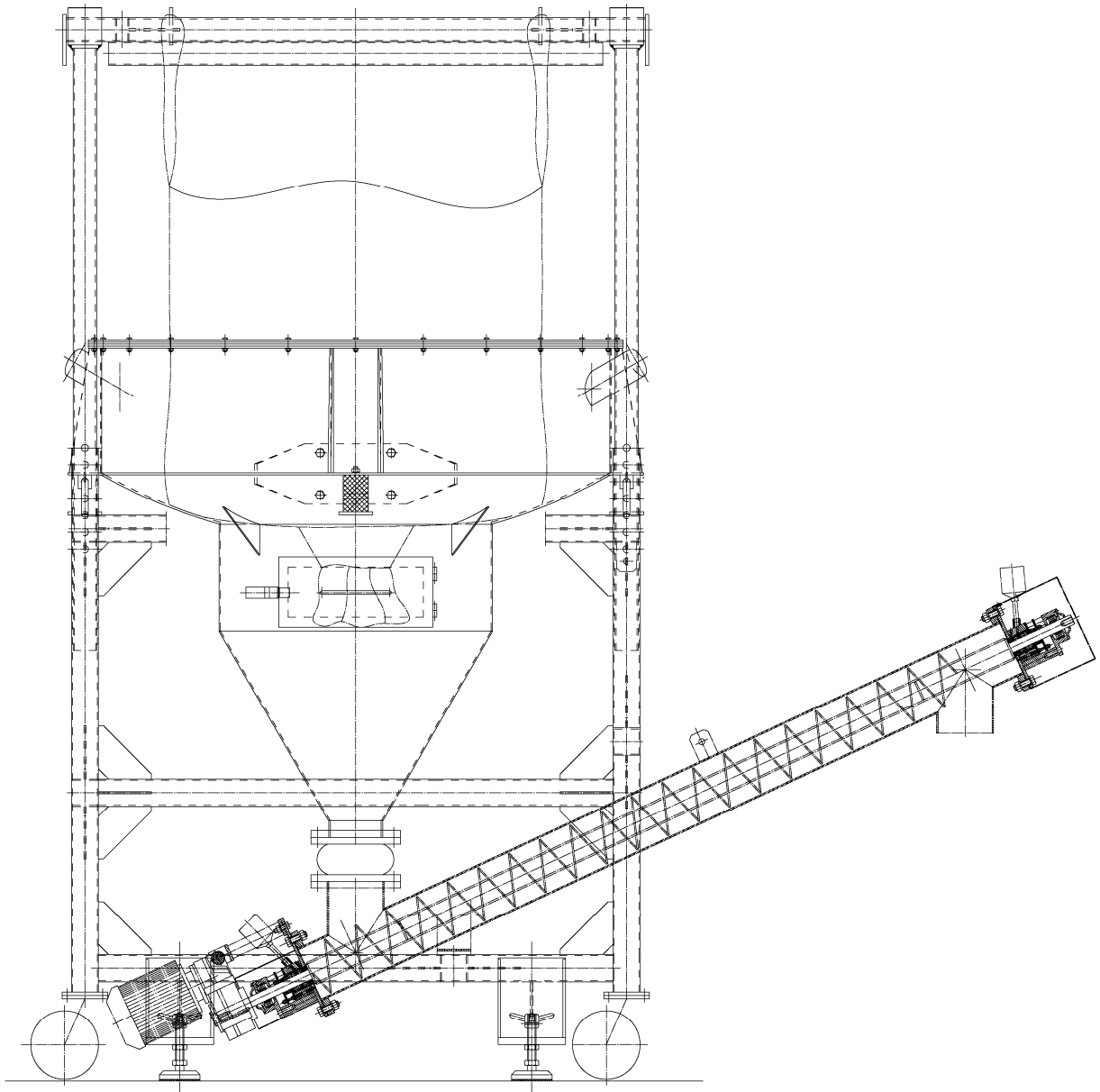


Image: Emptying station can be moved, with a metering screw

**S.S.T.-Schüttguttechnik Maschinenbau GmbH**  
Lechwiesenstr. 21, 86899 Landsberg / Lech  
Tel. 0049 (0)8191-3359-50 / Fax 0049 (0)8191-3359-55  
E-mail [SST@solids-service.de](mailto:SST@solids-service.de) [www.solids.de](http://www.solids.de)

