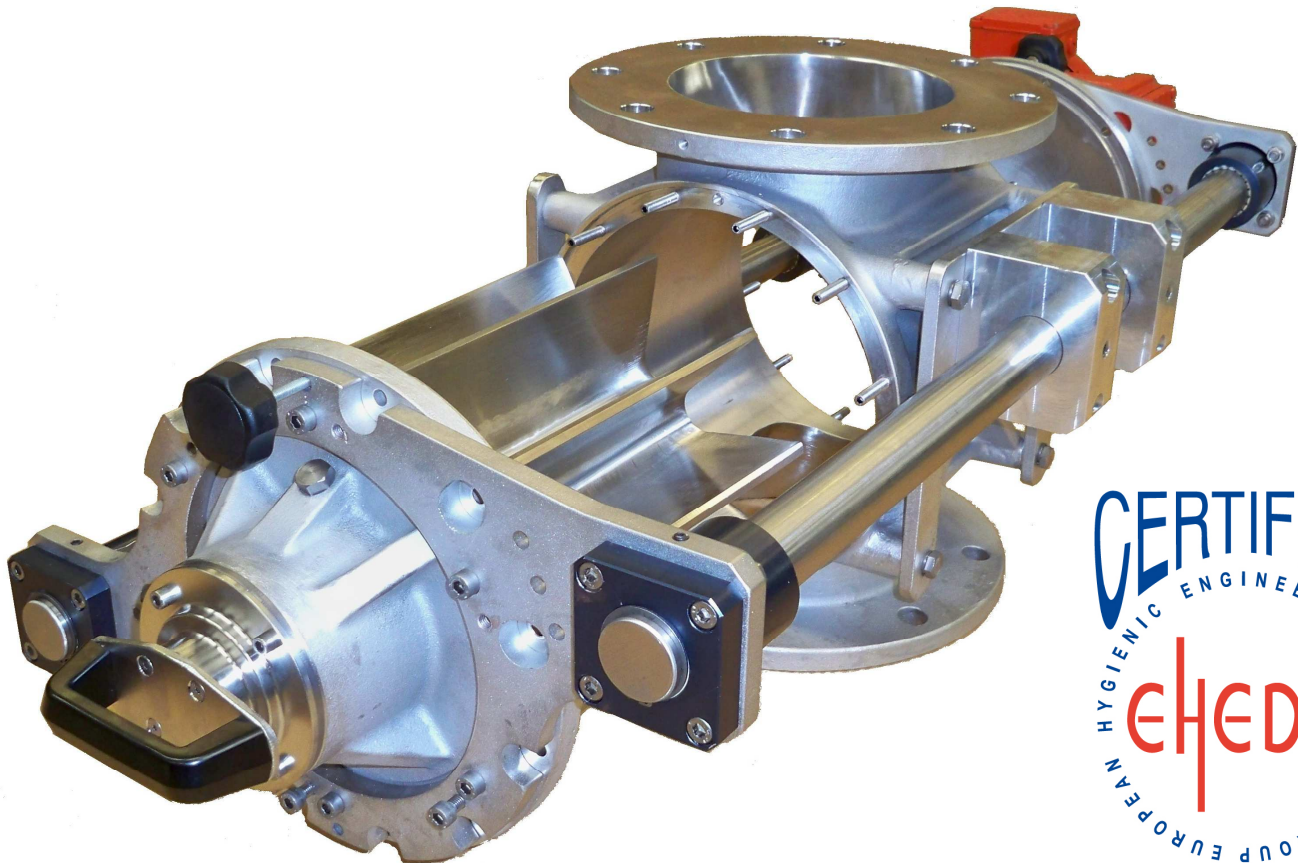


**solids Rotary Valve
Type SRVS-Hygienic
Hygienic Design**



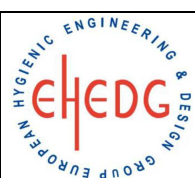
Rotary valve for discharge and feeding, suitable for feeding in pressure- or suction conveying lines, hygienic-version acc. EHEDG-Guidelines with certificate type EL-Class II



TYPE EL - Class II
SEPTEMBER 2012

Advantages:

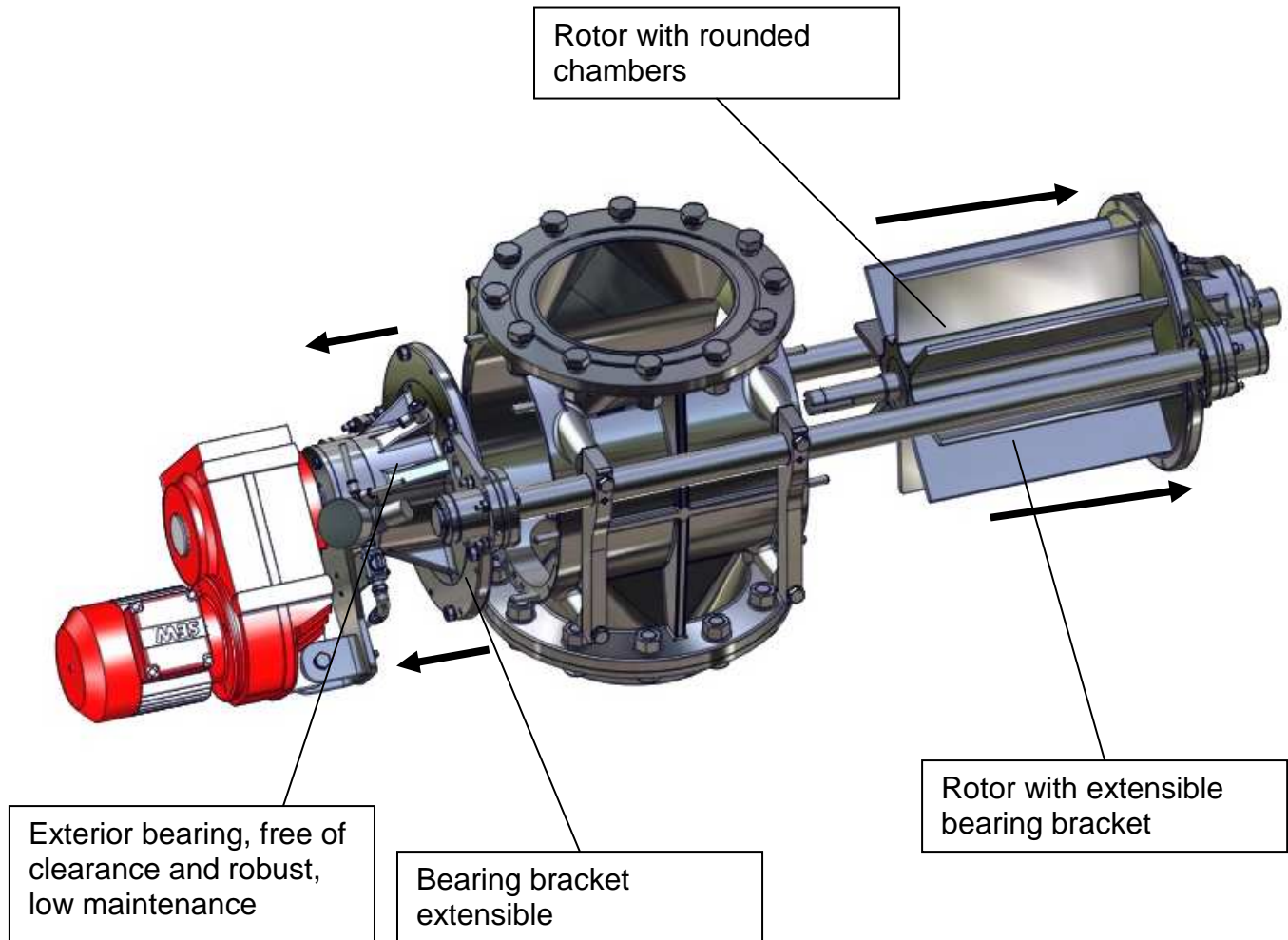
- **Fulfills GMP- / FDA-requirements, DIN EN 1672-2 (food machines) and DIN EN ISO 14159 (hygienic requirements)**
- **Easy dismantling, easy cleaning**
- **Simple and time-saving disassembly and assembly of the rotor without adjustment of the clearance between rotor and housing**
- **Acc. ATEX-directive 2014/34/EU, zone 20 interior, zone 21 exterior with type examination test by a notified body**
- **Suitable for wet cleaning in assembled condition (CIP) with following inspection and secondary cleaning, if necessary**



S.S.T.-Schüttguttechnik Maschinenbau GmbH
Lechwiesenstr. 21, 86899 Landsberg / Lech
Tel. 0049 (0)8191-3359-50 / Fax 0049 (0)8191-3359-55
Mail info@solids-service.de www.solids.de

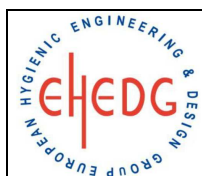


solids Rotary Valve Type SRVS-Hygienic Hygienic Design



Hygienic characteristics:

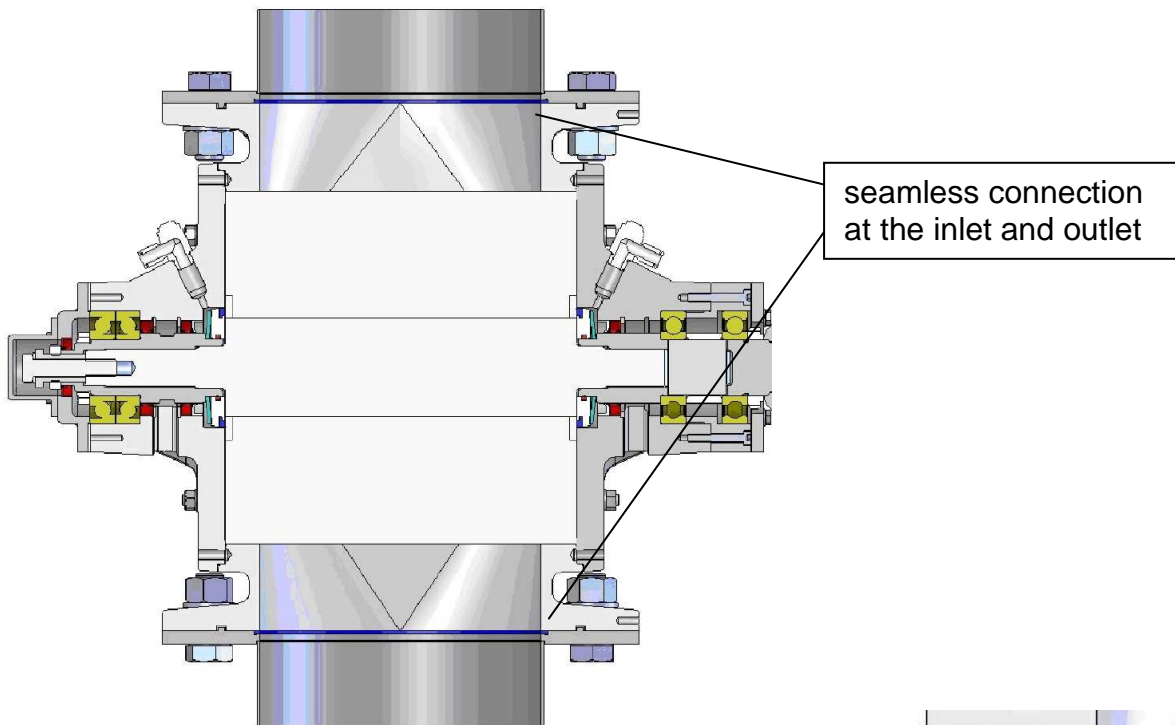
- In contact with product surface quality acc. $\leq 0,8\mu\text{m}$
- Weldings free of gaps and scattered ($\leq 0,8\mu\text{m}$)
- Corners and edges with big radius
- Easy to dismantle and to clean



S.S.T.-Schüttguttechnik Maschinenbau GmbH
 Lechwiesenstr. 21, 86899 Landsberg / Lech
 Tel. 0049 (0)8191-3359-50 / Fax 0049 (0)8191-3359-55
 Mail info@solids-service.de www.solids.de



solids Rotary Valve Type SRVS-Hygienic Hygienic Design



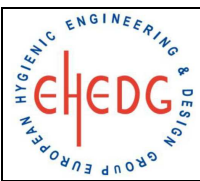
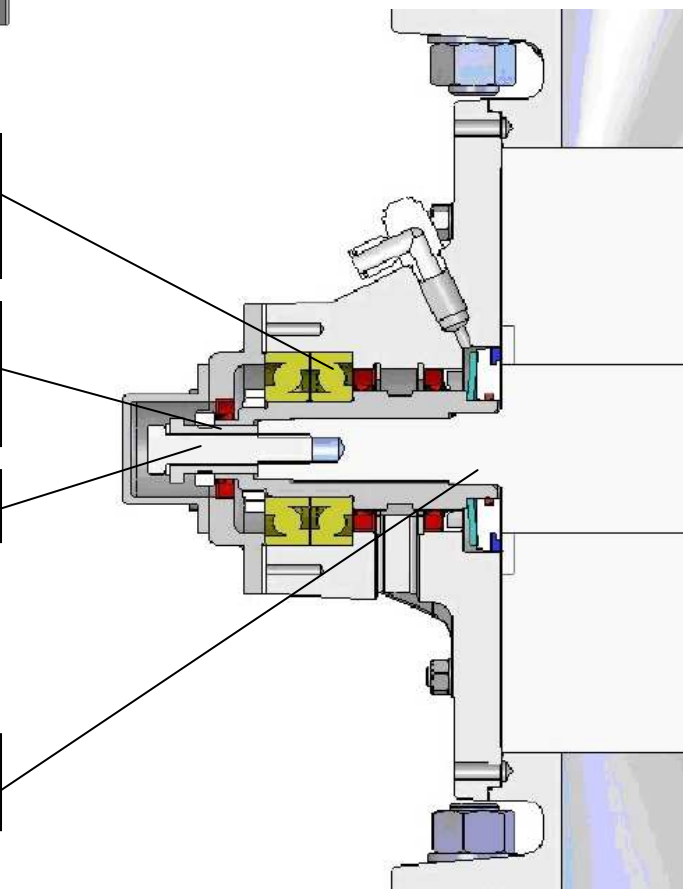
seamless connection
at the inlet and outlet

axial free of clearance rotor bearing
by use of suitable ball bearings and
axial fixing of the bearing bushing

axial centering device with
adjustable screw socket and fixed
stop

fixing of the rotor with only one bolt

double centering of the shaft end in
the bearing bushing



S.S.T.-Schüttguttechnik Maschinenbau GmbH
 Lechwiesenstr. 21, 86899 Landsberg / Lech
 Tel. 0049 (0)8191-3359-50 / Fax 0049 (0)8191-3359-55
 Mail info@solids-service.de www.solids.de



solids Rotary Valve Type SRVS-Hygienic Hygienic Design



double bearing of the rotor shaft in the bearing bushing

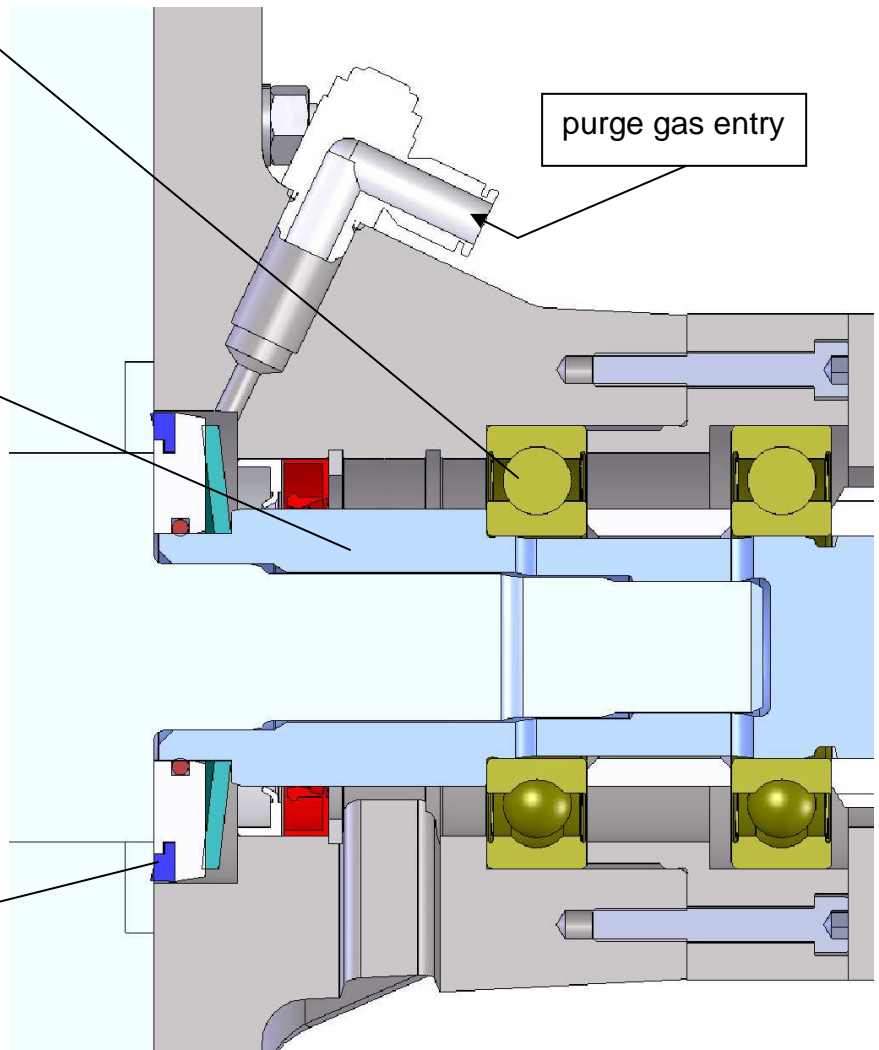
advantage:
exact radial fixing and
absorbing of high bending
moments due to pressure
differences

bearing of the rotor in the
shield with bearing bushings

advantage:
when pulling the rotor out the
sealings remain intact,
because the bearing bushing
stay in the shield

Sealing of the bearing and the
rotor shaft against the product
zone by use of a co-rotating
seal disc and a circular
flushing chamber with purge
air / gas

advantage:
the area of the bearing need
not to be cleaned
during COP-cleaning the
purge air / gas prevents the
entry of the cleaning fluid into
the area of the bearing



| Type | Ø In-/Outlet mm | Height mm | Flow rate l/rotation | Material housing | Material rotor |
|------------------|--------------------|--------------|-------------------------|--------------------------|--------------------|
| SRVS-Hygienc 150 | 150 | 320 | 3,2 | Special steel casting | Stainless steel |
| SRVS-Hygienc 200 | 200 | 375 | 7 | | |
| SRVS-Hygienc 250 | 250 | 430 | 13 | | |



S.S.T.-Schüttguttechnik Maschinenbau GmbH
Lechwiesenstr. 21, 86899 Landsberg / Lech
Tel. 0049 (0)8191-3359-50 / Fax 0049 (0)8191-3359-55
Mail info@solids-service.de www.solids.de

