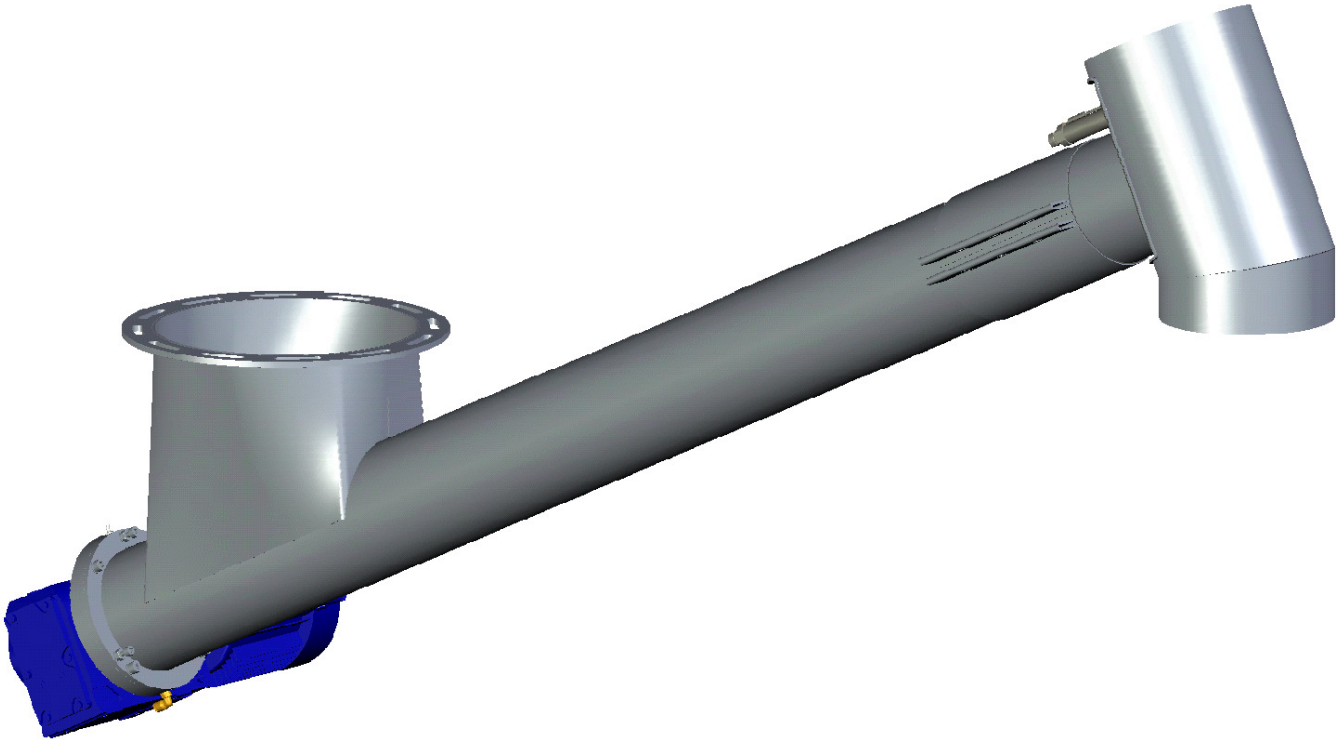


solids Dosing Screw Type DSC



Continuous metering with high accuracy



Advantages:

- Can be used globally, even for difficult bulk solids
- High accuracy and constancy
- Suitable for the smallest of volumes
- Adaptable to all vessel outlets
- Can be combined with multiple metering screws for exact and reproducible recipe preparation
- Extendable with weighing
- Complete solution with a control unit
- Low maintenance

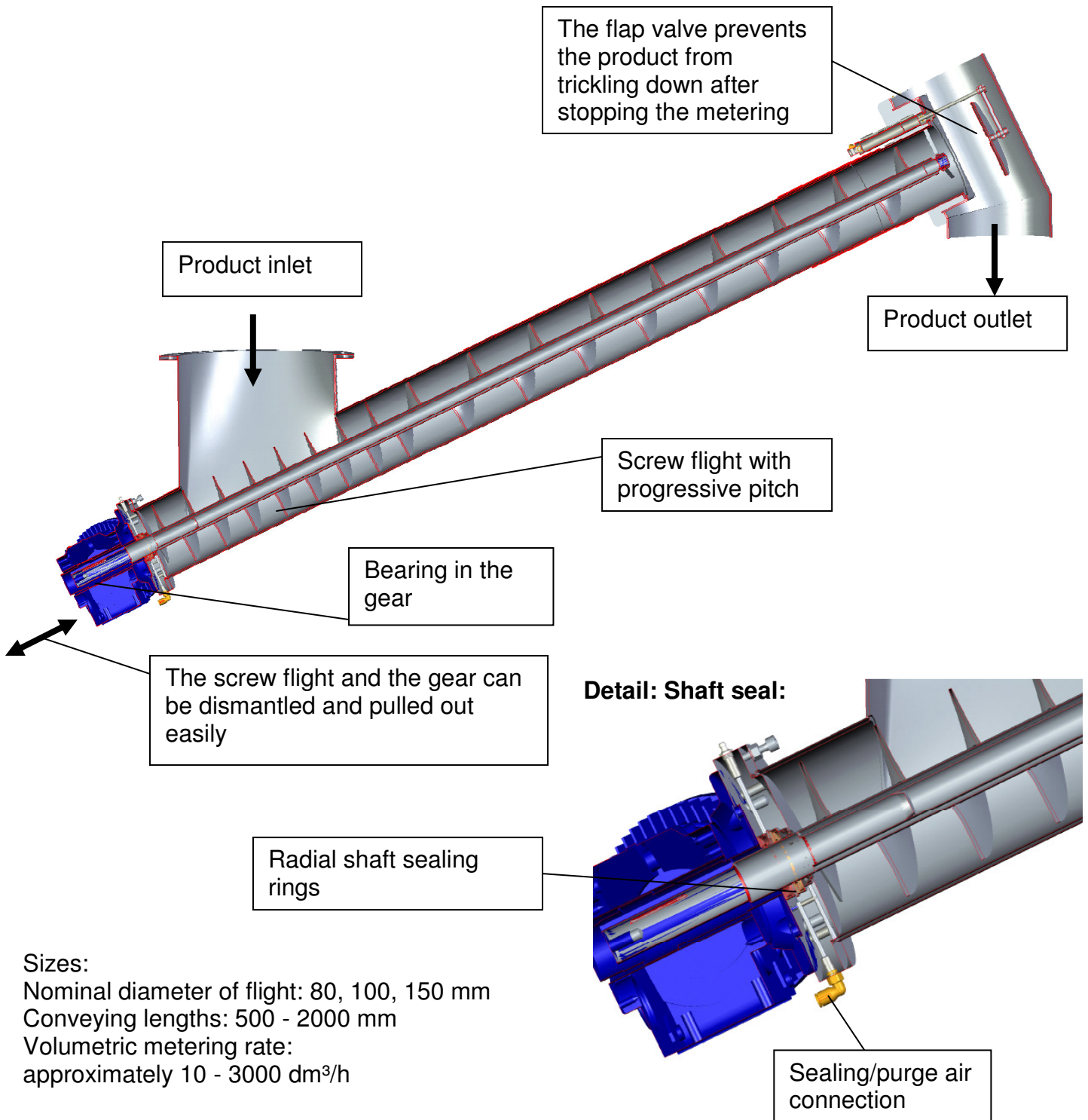
S.S.T.-Schüttguttechnik Maschinenbau GmbH
Lechwiesenstr. 21, 86899 Landsberg / Lech
Tel. 0049 (0)8191-3359-50 / Fax 0049 (0)8191-3359-55
E-mail SST@solids-service.de www.solids.de



solids Dosing Screw Type DSC



Characteristics:



Sizes:
Nominal diameter of flight: 80, 100, 150 mm
Conveying lengths: 500 - 2000 mm
Volumetric metering rate:
approximately 10 - 3000 dm³/h

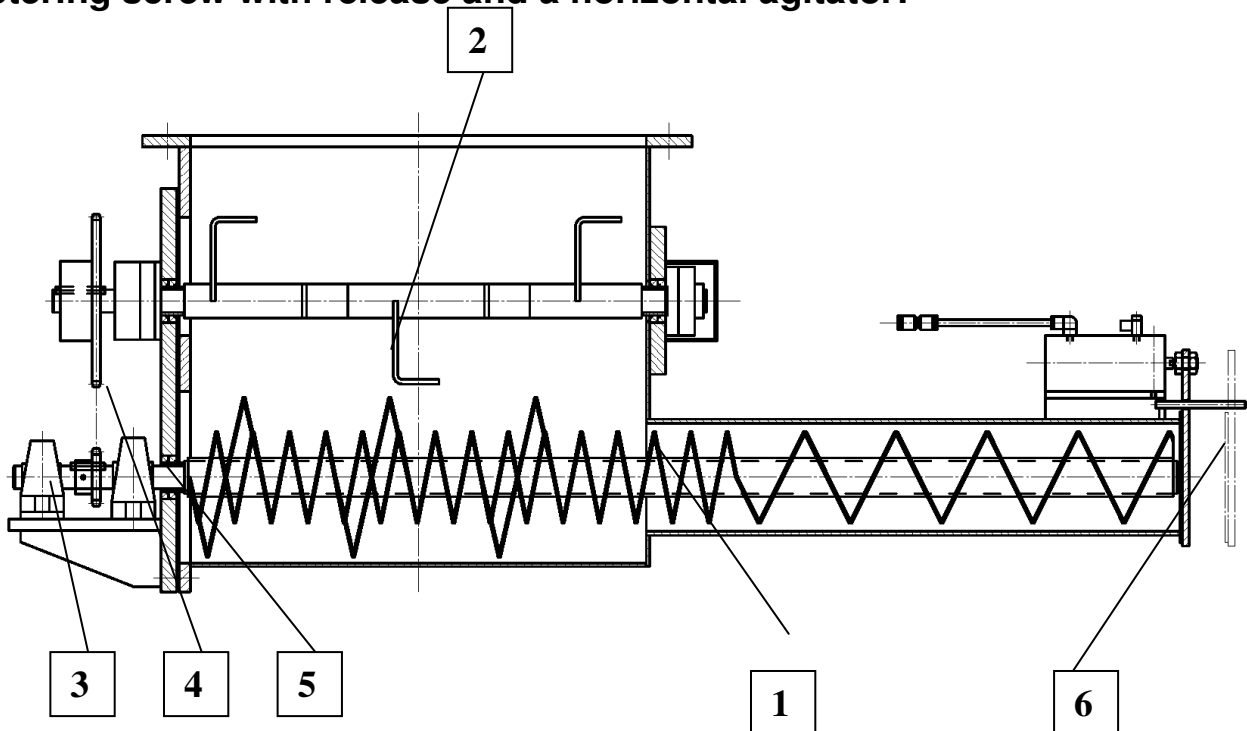
S.S.T.-Schüttguttechnik Maschinenbau GmbH
Lechwiesenstr. 21, 86899 Landsberg / Lech
Tel. 0049 (0)8191-3359-50 / Fax 0049 (0)8191-3359-55
E-mail SST@solids-service.de www.solids.de



solids Dosing Screw Type DSC



Metering screw with release and a horizontal agitator:



1. Screw flight with progressive pitch and a coaxial release near the inlet
2. Horizontal agitator in the inlet, for uniform filling of spiral channels and to avoid bridging
3. Overhung bearing with external pedestal bearings
4. Common drive of the screw and the agitator using a chain and sprocket wheel drive and laterally (space-saving) attached geared motor
5. Shaft seal with radial shaft sealing rings
6. Pneumatic quick-action flap valve at the outlet: prevents the product from trickling down after stopping the metering



Detail: Inlet with agitator