

solids Drum Filling Device

Type DBF



**Gravimetric dustproof filling of drums and other packages;
Transporting the drums using a conveyor belt;
Drum on the conveyor belt is weighed using a platform scale.**



Advantages:

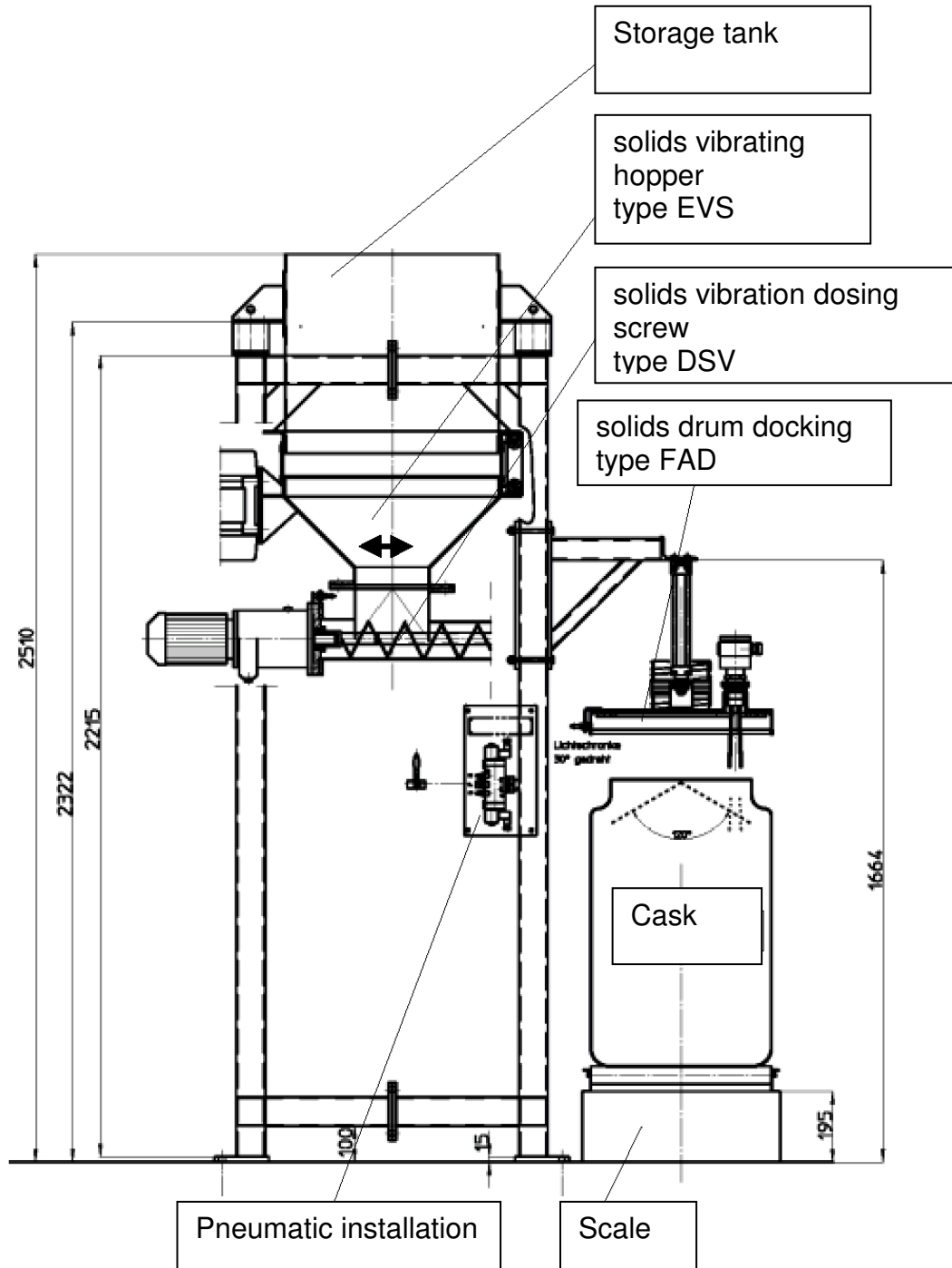
- **Reliable due to the universal discharging and metering system**
- **High operational safety due to the sturdy design of the components**
- **Quick product change and therefore low cleaning costs**
- **Dustproof drum docking**

S.S.T.-Schüttguttechnik Maschinenbau GmbH
Lechwiesenstr. 21, 86899 Landsberg / Lech
Tel. 0049 (0)8191-3359-50 / Fax 0049 (0)8191-3359-55
E-mail SST@solids-service.de www.solids.de



solids Drum Filling Device

Type DBF



solids Drum Filling Device

Type DBF

