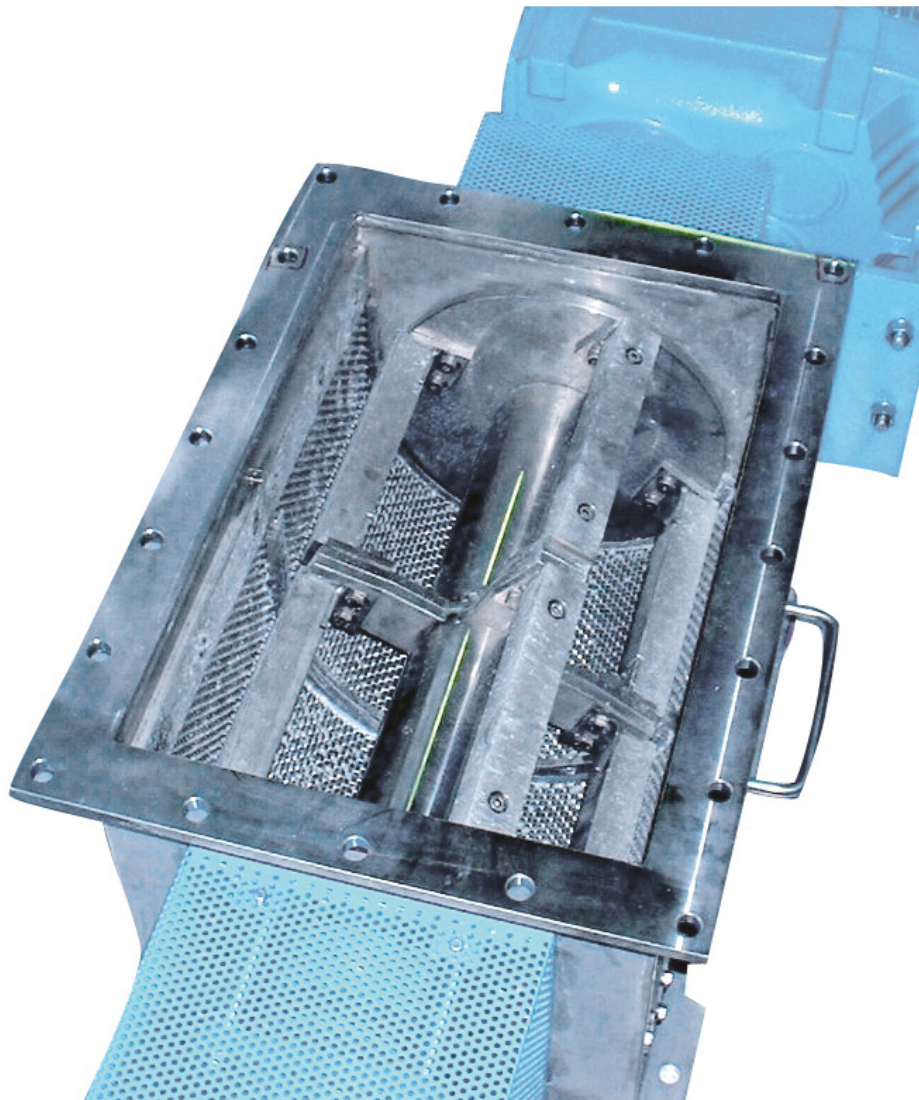


solids Lump Crusher

Fine Crusher with Sieve, Type K1S



Single-shaft lump crusher with a sieve for crushing lumps, clots and crusts in bulk solids



Advantages:

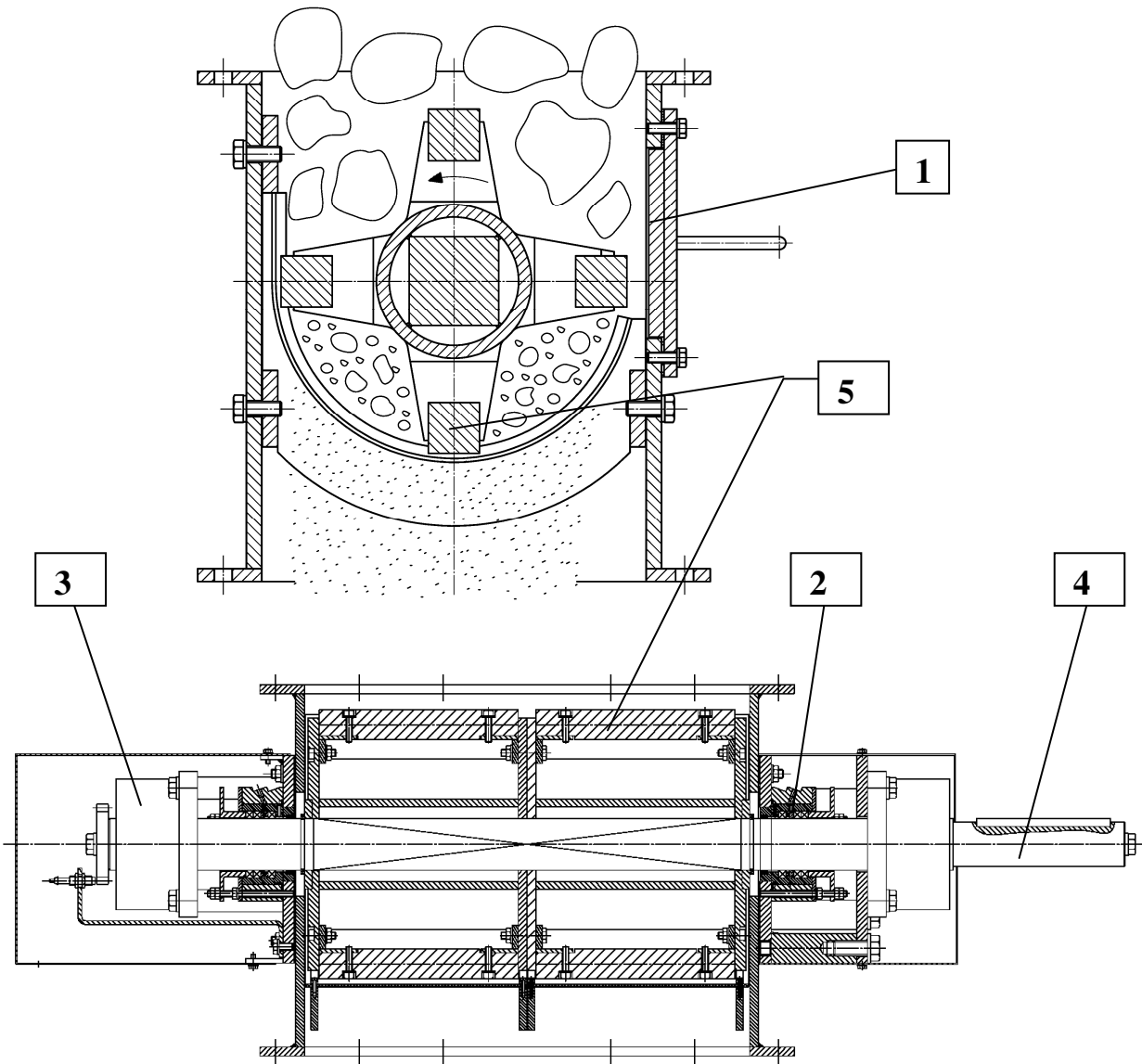
- Low installation cost
- Less installation height
- Sturdy design
- Simple assembly
- Low noise
- Accurately definable particle size
- Suitable for explosion-hazardous products

S.S.T.-Schüttguttechnik Maschinenbau GmbH
Lechwiesenstr. 21, 86899 Landsberg / Lech
Tel. 0049 (0)8191-3359-50 / Fax 0049 (0)8191-3359-55
E-mail SST@solids-service.de www.solids.de



solids Lump Crusher

Fine Crusher with Sieve, Type K1S



Characteristics:

Sizes: 200x300, 300x400, 400x600 mm or as per customer's specifications

- 1) Sturdy and welded housing
- 2) Shaft feedthrough with packing gland or with special shaft sealing rings for pressure-tight sealing
- 3) External bearing
- 4) Direct drive with a slip-on geared motor
- 5) Horizontal beam beater
- 6) Sieve holder with a semi-circular moulded sieve, replaceable, with round, square or rubbing holes

S.S.T.-Schüttguttechnik Maschinenbau GmbH
Lechwiesenstr. 21, 86899 Landsberg / Lech
Tel. 0049 (0)8191-3359-50 / Fax 0049 (0)8191-3359-55
E-mail SST@solids-service.de www.solids.de

