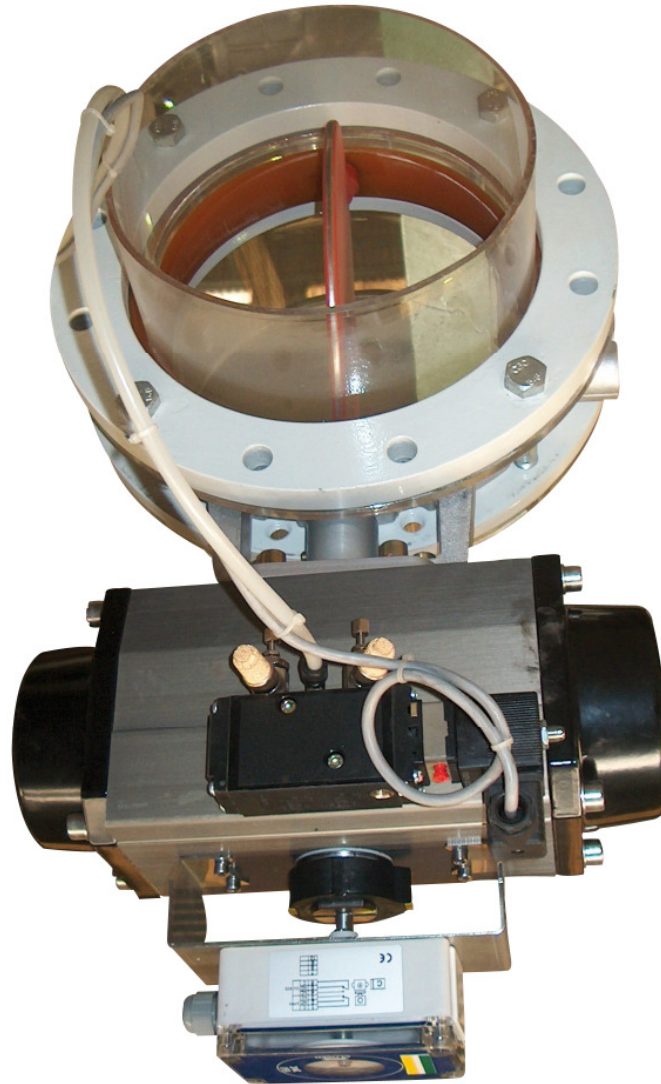


solids Butterfly Valve

Types DKH, DKP



Dustproof, pressure and vacuum-tight seal for silos, vessels and pipelines, special design for bulk solids



Advantages:

- **Ready-to-install due to the electro-pneumatic installation, completely installed**
- **TÜV-certified and approved as per pressure equipment directive 97/23/EC**
- **Simple, cost-effective assembly**
- **Less installation height**
- **Gasket easily to replace due to the vertically split housing**
- **Easy-to-maintain**

S.S.T.-Schüttguttechnik Maschinenbau GmbH
Lechwiesenstr. 21, 86899 Landsberg / Lech
Tel. 0049 (0)8191-3359-50 / Fax 0049 (0)8191-3359-55
E-mail SST@solids-service.de www.solids.de

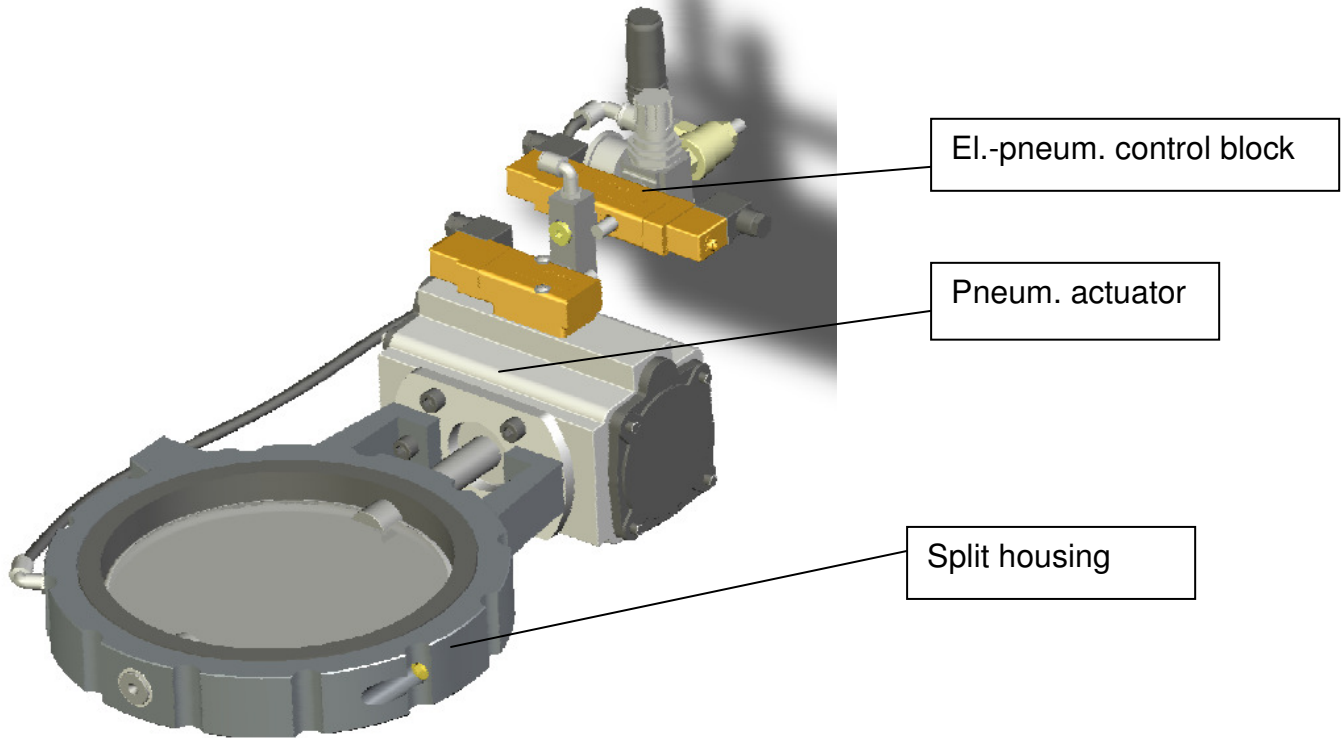


solids Butterfly Valve

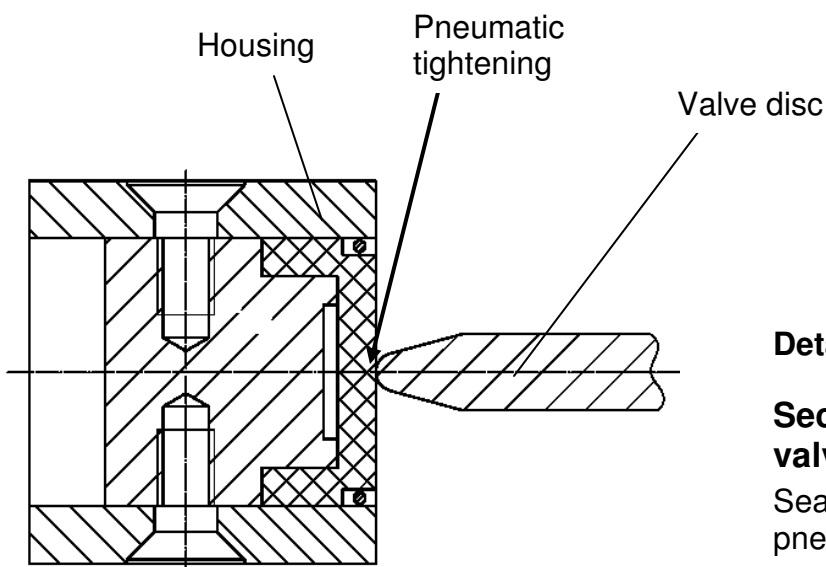
Types DKH, DKP



Characteristics:



Section:



Detail:

Section through the butterfly valve

Sealing element of the closed valve pneumatically pressed

Sizes: DN80, 100, 125, 150, 200, 250, 300, 350, 400, 500.

S.S.T.-Schüttguttechnik Maschinenbau GmbH
Lechwiesenstr. 21, 86899 Landsberg / Lech
Tel. 0049 (0)8191-3359-50 / Fax 0049 (0)8191-3359-55
E-mail SST@solids-service.de www.solids.de



solids Butterfly Valve

Types DKH, DKP

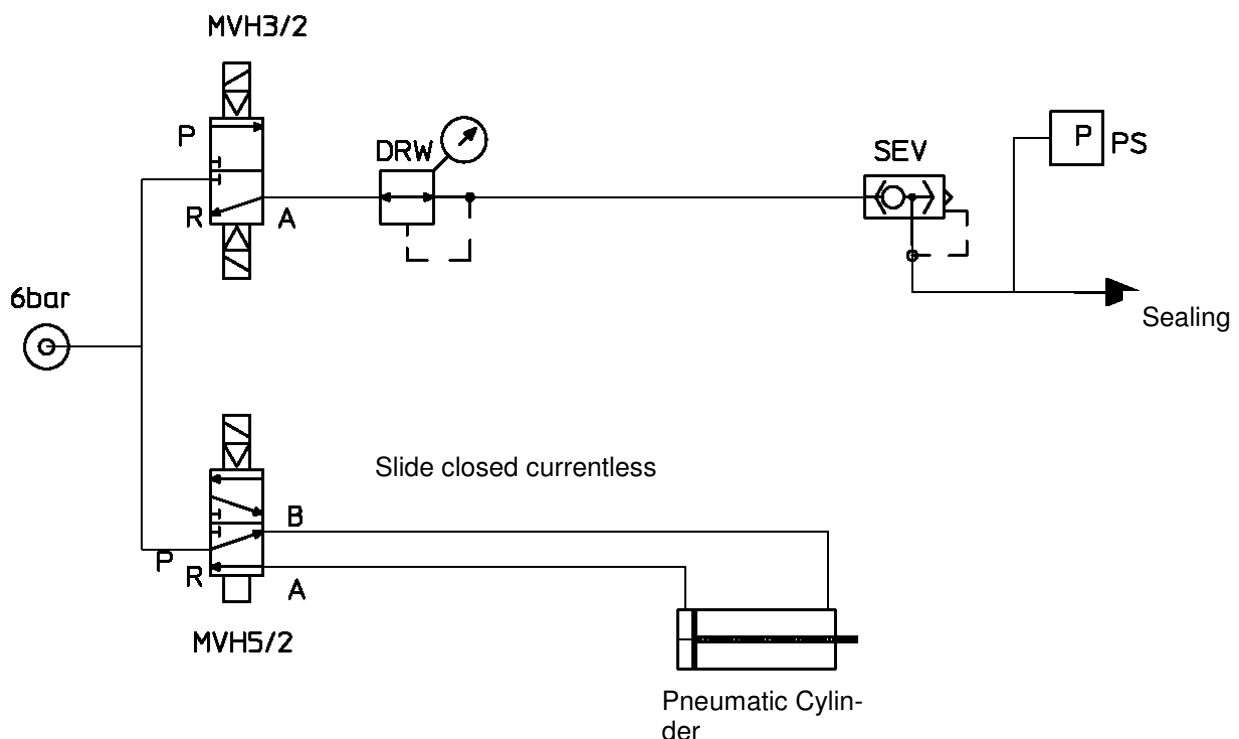


Functional description of the pressure-tight version (see functional diagram):

- Normal position: valve closed, pneumatic sealing not pressed (i.e. the solenoid valve (MVH 3/2) is in the relieve A-R position, limit switch at the "Close" position is actuated. Pressure switch (PS) indicates "Pressure <2 bar".
- Opening process:
The release signal to open the valve has to be sent not before the pressure switch (PS) indicates "Pressure <2 bar".
The solenoid valve (MVH 5/2) actuates the cylinder, the valve opens, the limit switch at the "OPEN" position is actuated.

Note: The valve is closed in case of power failure (safety position).

- Closing process:
The solenoid valve (MVH 5/2) is deenergised, the valve closes, the limit switch at the "Close" position is actuated, a release signal to press the sealing has to be sent.
The solenoid valve (MVH 3/2) has to be switched over: P - A, sealing is pressed, the pressure switch (PS) indicates "Pressure > 2 bar"



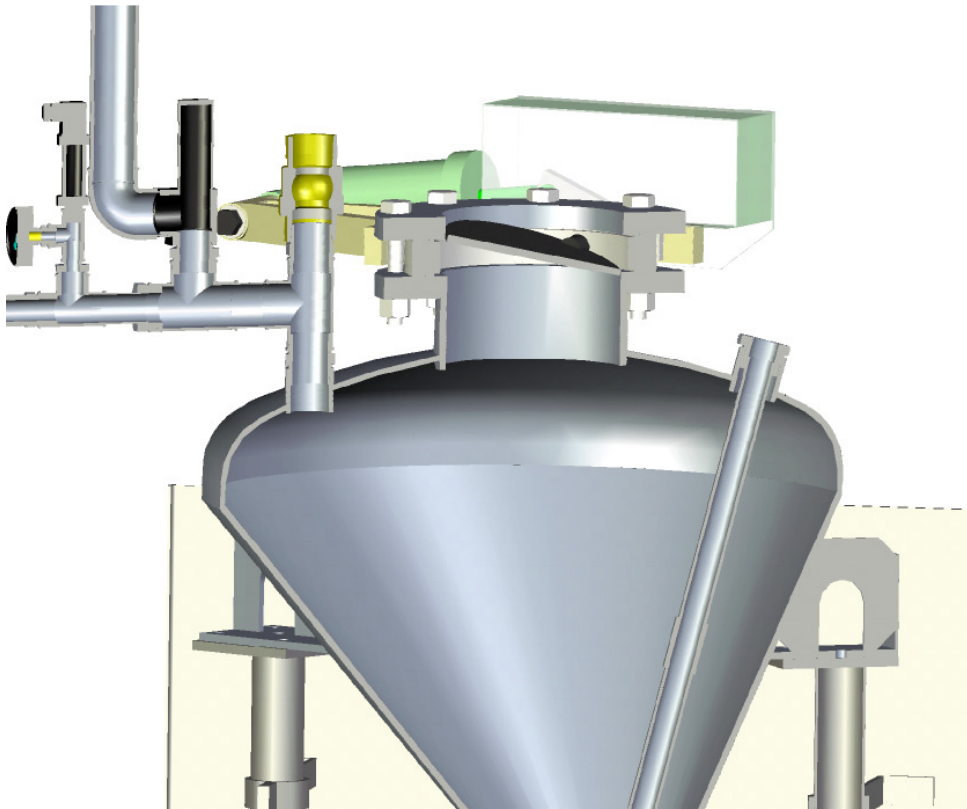
solids Butterfly Valve

Types DKH, DKP

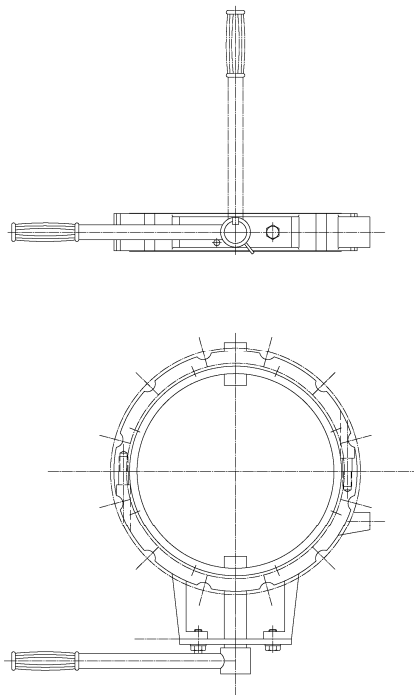


Section:

Pressure-tight butterfly valve, type DKP, integrated into the pneumatic pressure vessel



Butterfly valve, type DKH, manually operated:



S.S.T.-Schüttguttechnik Maschinenbau GmbH
Lechwiesenstr. 21, 86899 Landsberg / Lech
Tel. 0049 (0)8191-3359-50 / Fax 0049 (0)8191-3359-55
E-mail SST@solids-service.de www.solids.de

