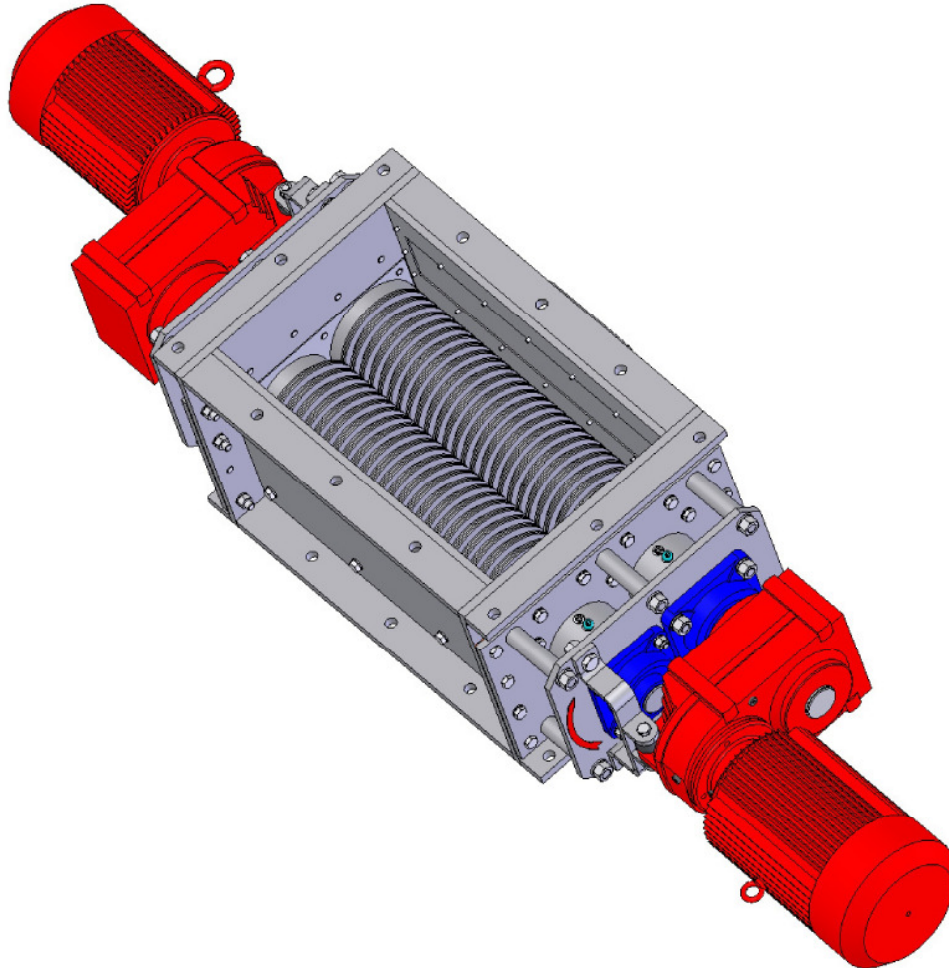


**solids Lump Crusher**  
**Fine Crusher, Type K2**



**Dual-shaft lump crusher for crushing lumps, clots and crusts in bulk solids**



**Advantages:**

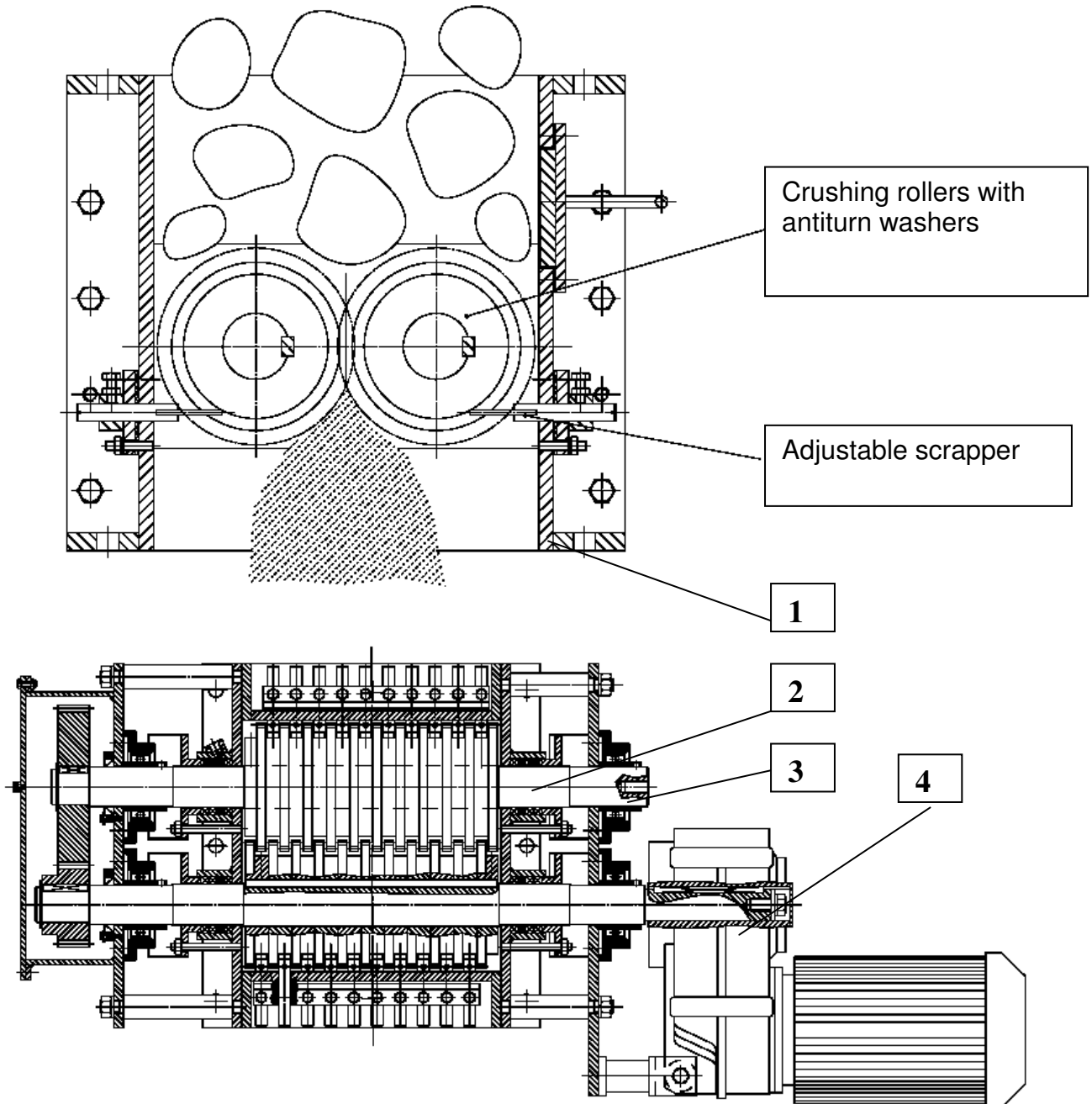
- **Low installation cost**
- **Less installation height**
- **Sturdy design**
- **Simple assembly**
- **Low noise**
- **Suitable for explosion-hazardous products**

**S.S.T.-Schüttguttechnik Maschinenbau GmbH**  
Lechwiesenstr. 21, 86899 Landsberg / Lech  
Tel. 0049 (0)8191-3359-50 / Fax 0049 (0)8191-3359-55  
E-mail [SST@solids-service.de](mailto:SST@solids-service.de) [www.solids.de](http://www.solids.de)



# solids Lump Crusher

## Fine Crusher, Type K2



### Characteristics:

Sizes: 320x310, 320x480, 320x630 mm or as per customer's specifications

- 1) Sturdy and welded housing
- 2) Shaft feedthrough with packing gland or with special shaft sealing rings for pressure-tight sealing
- 3) External bearing
- 4) Direct drive with a slip-on geared motor

**S.S.T.-Schüttguttechnik Maschinenbau GmbH**  
Lechwiesenstr. 21, 86899 Landsberg / Lech  
Tel. 0049 (0)8191-3359-50 / Fax 0049 (0)8191-3359-55  
E-mail [SST@solids-service.de](mailto:SST@solids-service.de) [www.solids.de](http://www.solids.de)



**solids Lump Crusher**  
**Fine Crusher, Type K2**

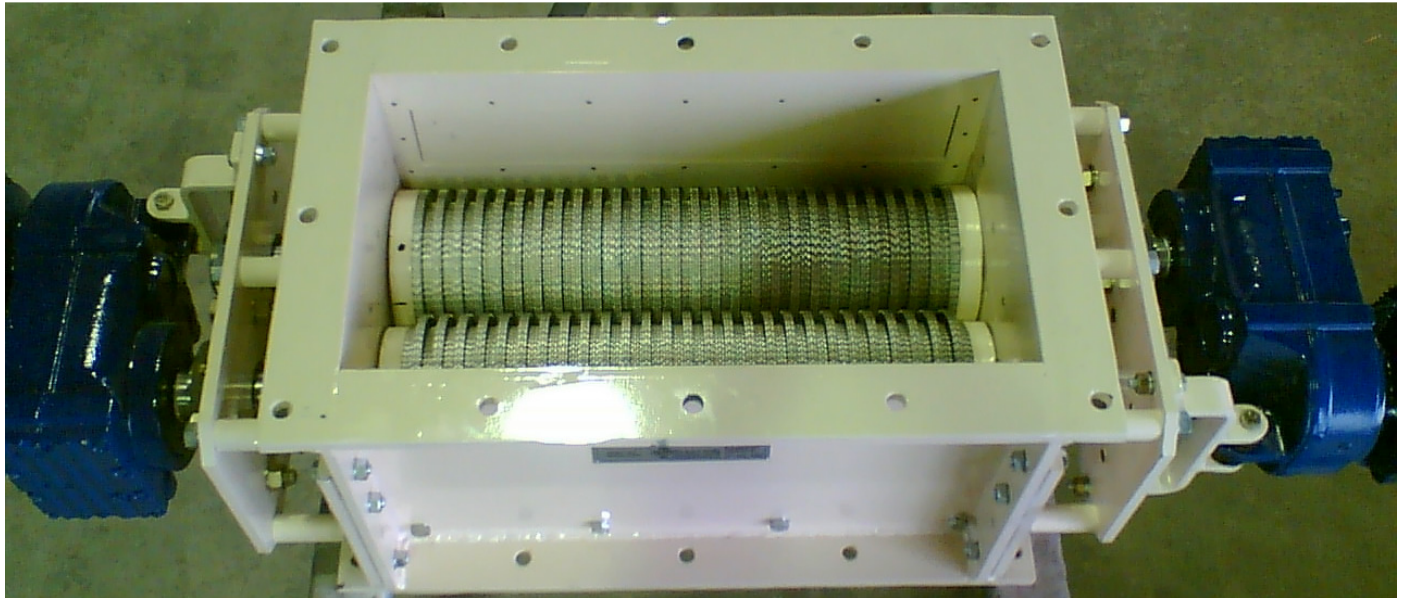


Image: Dual shaft lump crusher with fine tootinging and 2 separate drives

**S.S.T.-Schüttguttechnik Maschinenbau GmbH**  
Lechwiesenstr. 21, 86899 Landsberg / Lech  
Tel. 0049 (0)8191-3359-50 / Fax 0049 (0)8191-3359-55  
E-mail [SST@solids-service.de](mailto:SST@solids-service.de) [www.solids.de](http://www.solids.de)

