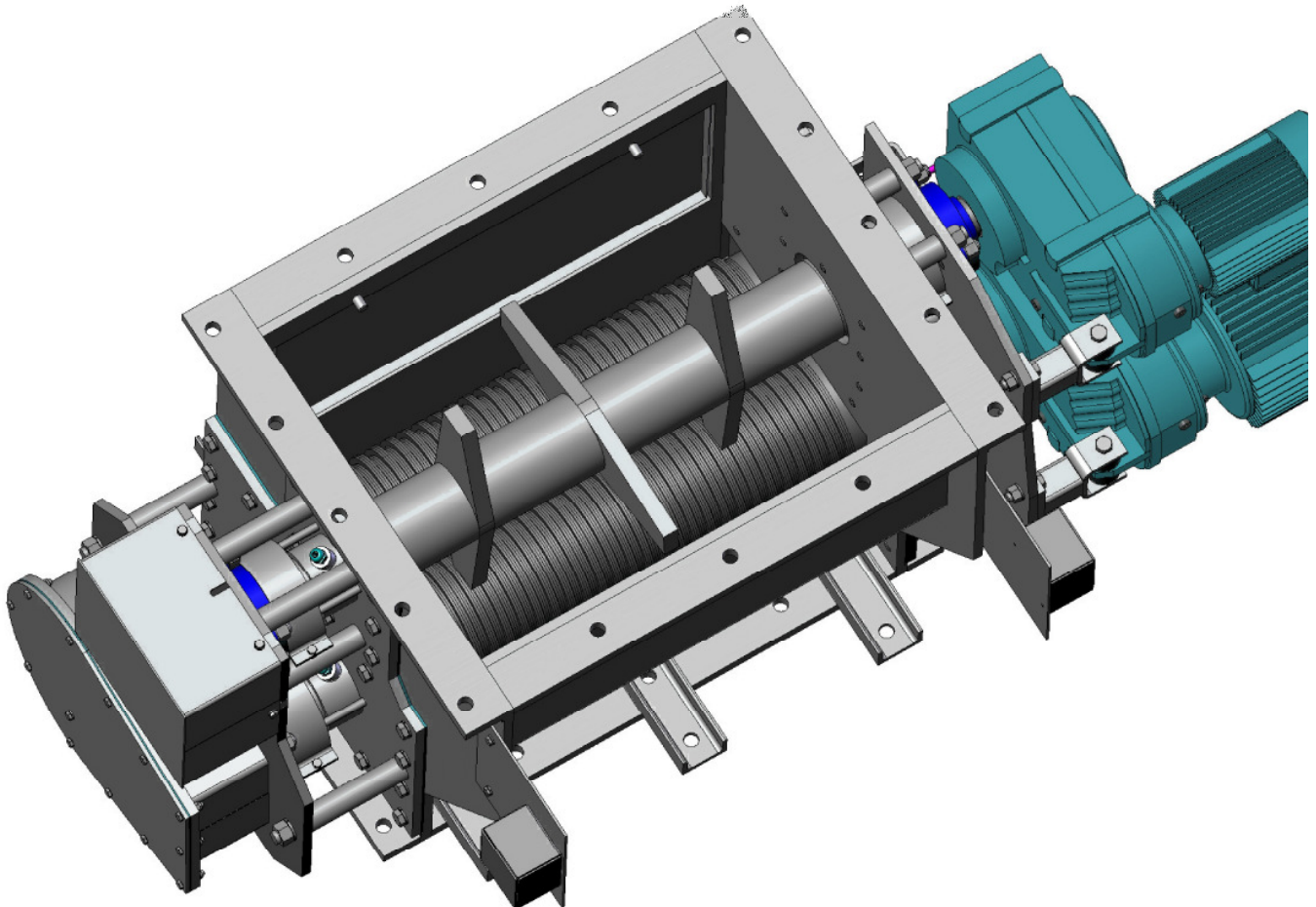


## solids Lump Crusher

### Fine Crusher with Feed Guide Rails, Type K3R



Three-shaft lump crusher with feed guide rails for crushing lumps, clots and crusts in bulk solids.



#### Advantages:

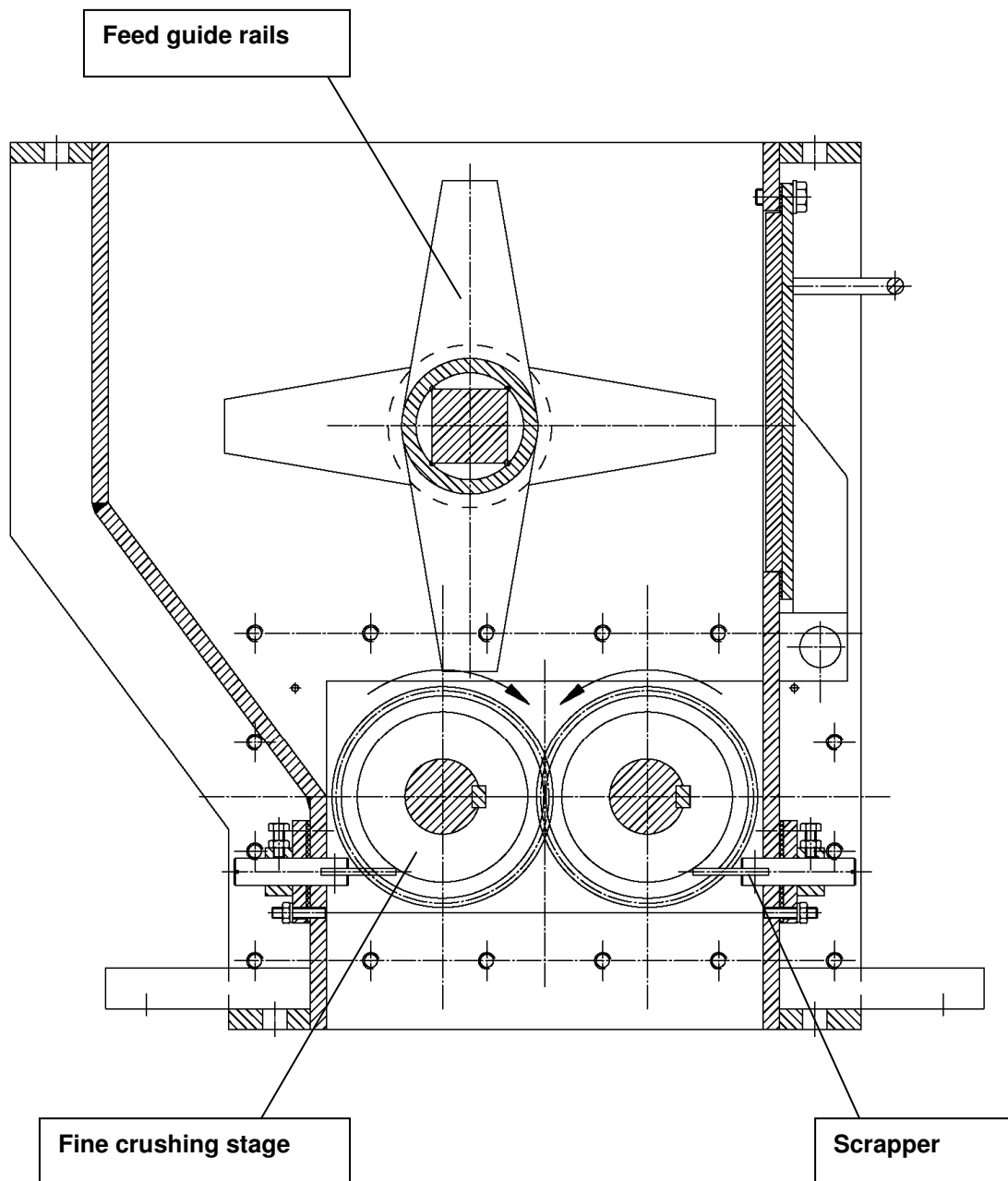
- Low installation cost
- Less installation height
- Sturdy design
- Simple assembly
- Low noise
- Also suitable for foreign bodies
- Suitable for explosion-hazardous products

**S.S.T.-Schüttguttechnik Maschinenbau GmbH**  
Lechwiesenstr. 21, 86899 Landsberg / Lech  
Tel. 0049 (0)8191-3359-50 / Fax 0049 (0)8191-3359-55  
E-mail [SST@solids-service.de](mailto:SST@solids-service.de) [www.solids.de](http://www.solids.de)



# solids Lump Crusher

## Fine Crusher with Feed Guide Rails, Type K3R



### Characteristics:

Sizes: 320x310, 320x480, 320x630 mm or as per customer's specifications

- 1) Sturdy and welded housing
- 2) Feed plates for extremely rough delivery goods and foreign bodies
- 3) Shaft feedthrough with packing gland or with special shaft sealing rings for pressure-tight sealing
- 4) External bearing
- 5) Direct drive with a slip-on geared motor

**S.S.T.-Schüttguttechnik Maschinenbau GmbH**

Lechwiesenstr. 21, 86899 Landsberg / Lech

Tel. 0049 (0)8191-3359-50 / Fax 0049 (0)8191-3359-55

E-mail [SST@solids-service.de](mailto:SST@solids-service.de) [www.solids.de](http://www.solids.de)

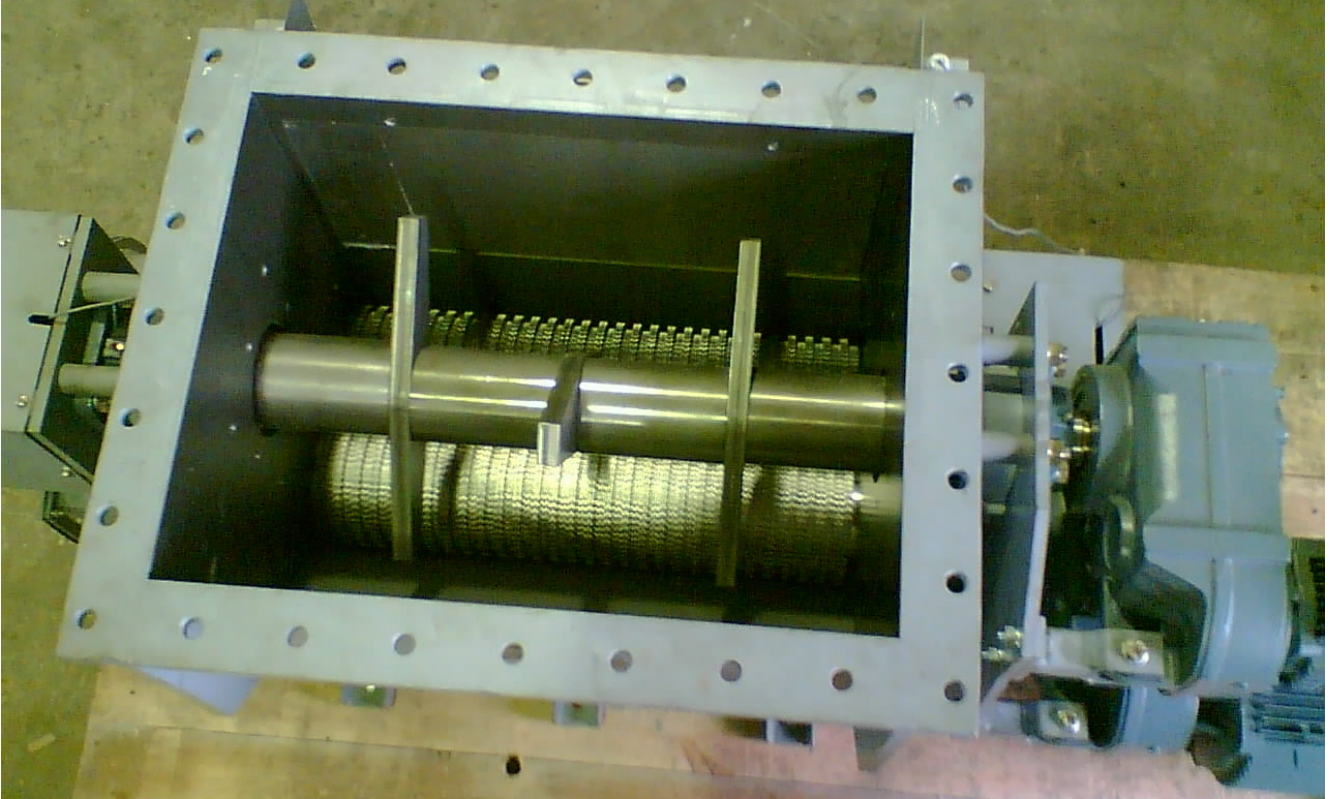


## solids Lump Crusher

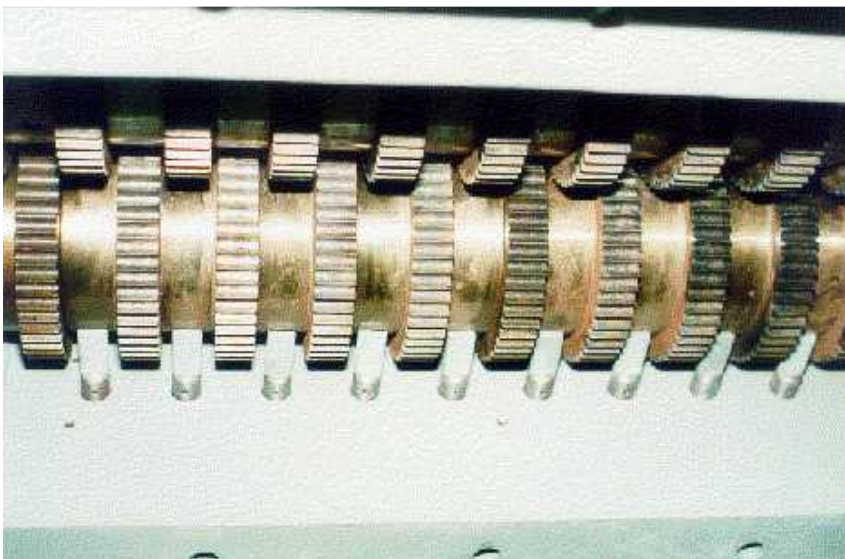
Fine Crusher with Feed Guide Rails, Type K3R



Inlet with feed guide rails:



Outlet with scrappers:



**S.S.T.-Schüttguttechnik Maschinenbau GmbH**  
Lechwiesenstr. 21, 86899 Landsberg / Lech  
Tel. 0049 (0)8191-3359-50 / Fax 0049 (0)8191-3359-55  
E-mail [SST@solids-service.de](mailto:SST@solids-service.de) [www.solids.de](http://www.solids.de)

