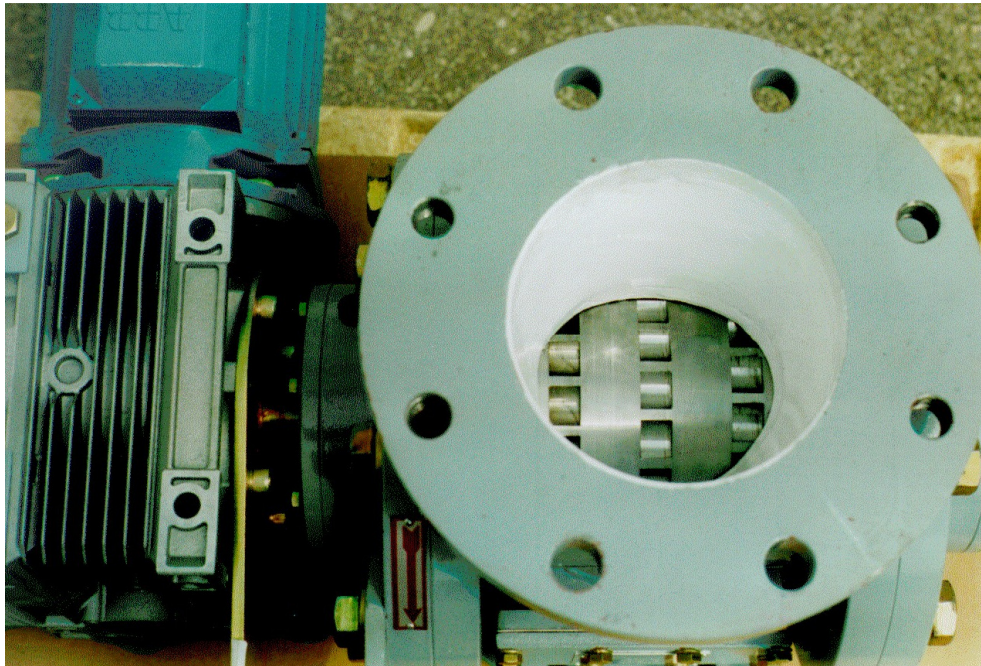


solids Microfeeding Rotary Valve

Type MDS

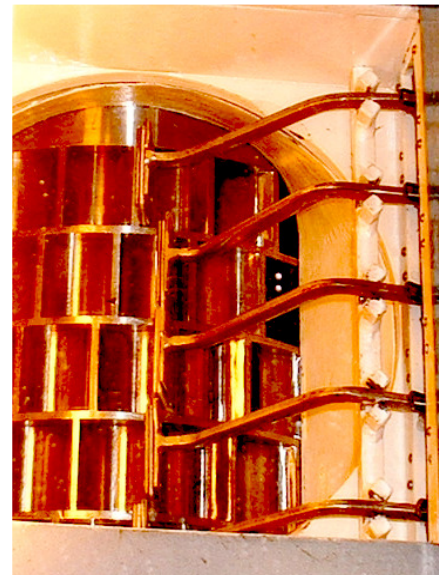


**Pulsation-free metering of products that tend to spurt or stick; with high accuracy; for small and smallest capacities as a volumetric metering device in combination with a pre-vessel and load cells (differential metering scale);
as an entry device for a pneumatic conveying system.**



Advantages:

- **Extremely accurate metering due to the complete filling and emptying of the chambers**
- **Metering and air lock in one device**
- **Space-saving, less installation height**
- **Smallest volumes from 1 dm³/h onwards**
- **For poorly flowing to interleaving products**
- **Low-pulsation flow**



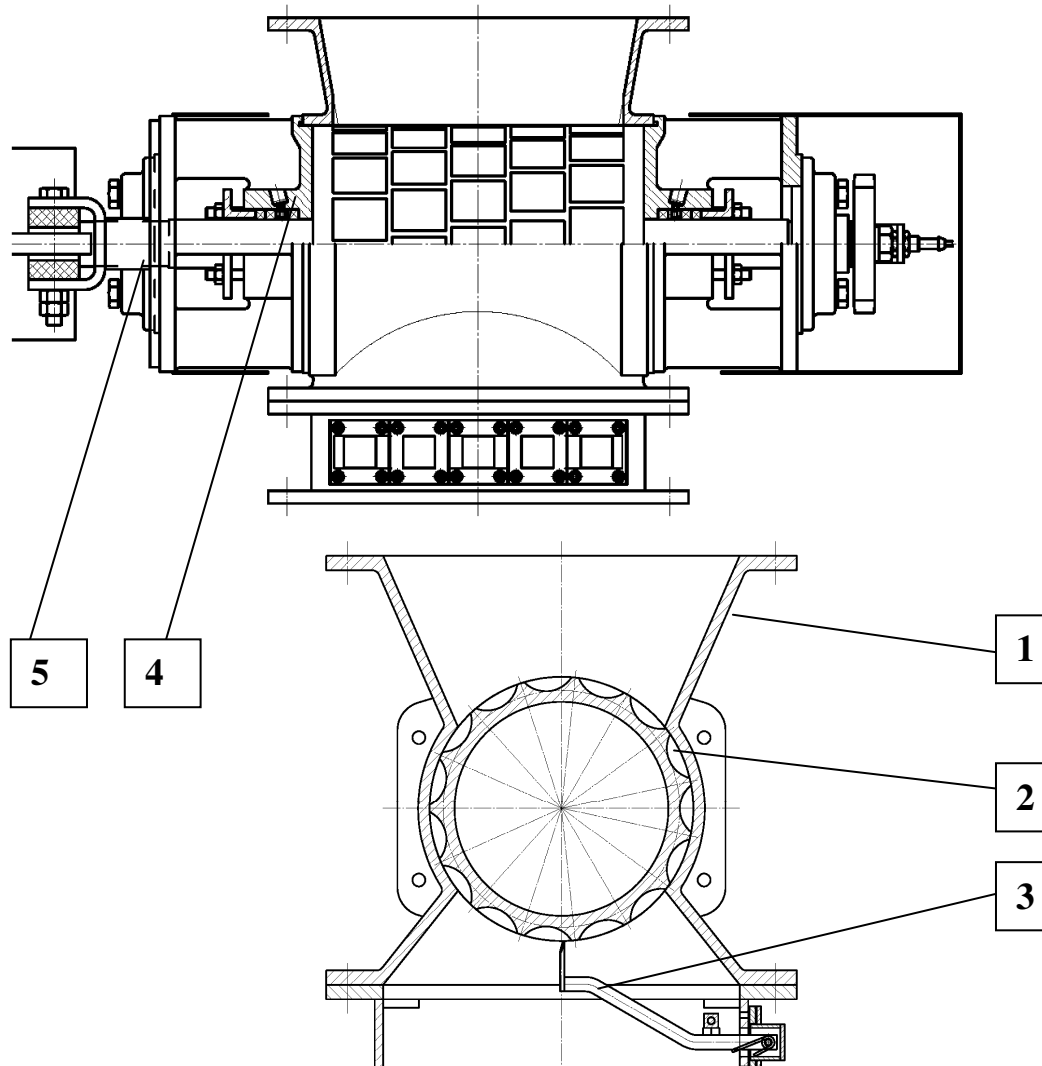
**Detail:
forced scraping device**

S.S.T.-Schüttguttechnik Maschinenbau GmbH
Lechwiesenstr. 21, 86899 Landsberg / Lech
Tel. 0049 (0)8191-3359-50 / Fax 0049 (0)8191-3359-55
E-mail SST@solids-service.de www.solids.de



solids Microfeeding Rotary Valve

Type MDS



Characteristics

- Sizes: \varnothing 150, 250, 250x400 mm
- Metering volume capacities from 1 to 4000 dm³/h
- Pressure-tight up to 1 bar
- 1) Robust cast housing made of GG, 1.4308, 1.4408
- 2) Precision welded rotor with small chambers; arranged in multiple rows that are offset with each other; this ensures low-pulsation mass flow
- 3) Forced scraping device in the outlet area to empty the rotor chambers completely
- 4) Shaft seal using adjustable packing glands, optional with radial shaft sealing rings and sealing air connection
- 5) External flange bearings on both sides
- Slip-on worm geared motor with manual adjustment, optional with frequency converter operation
- Combination with the solids agitator vessel type BAR above the MDS

S.S.T.-Schüttguttechnik Maschinenbau GmbH

Lechwiesenstr. 21, 86899 Landsberg / Lech
Tel. 0049 (0)8191-3359-50 / Fax 0049 (0)8191-3359-55
E-mail SST@solids-service.de www.solids.de

