

solids Slide Gate

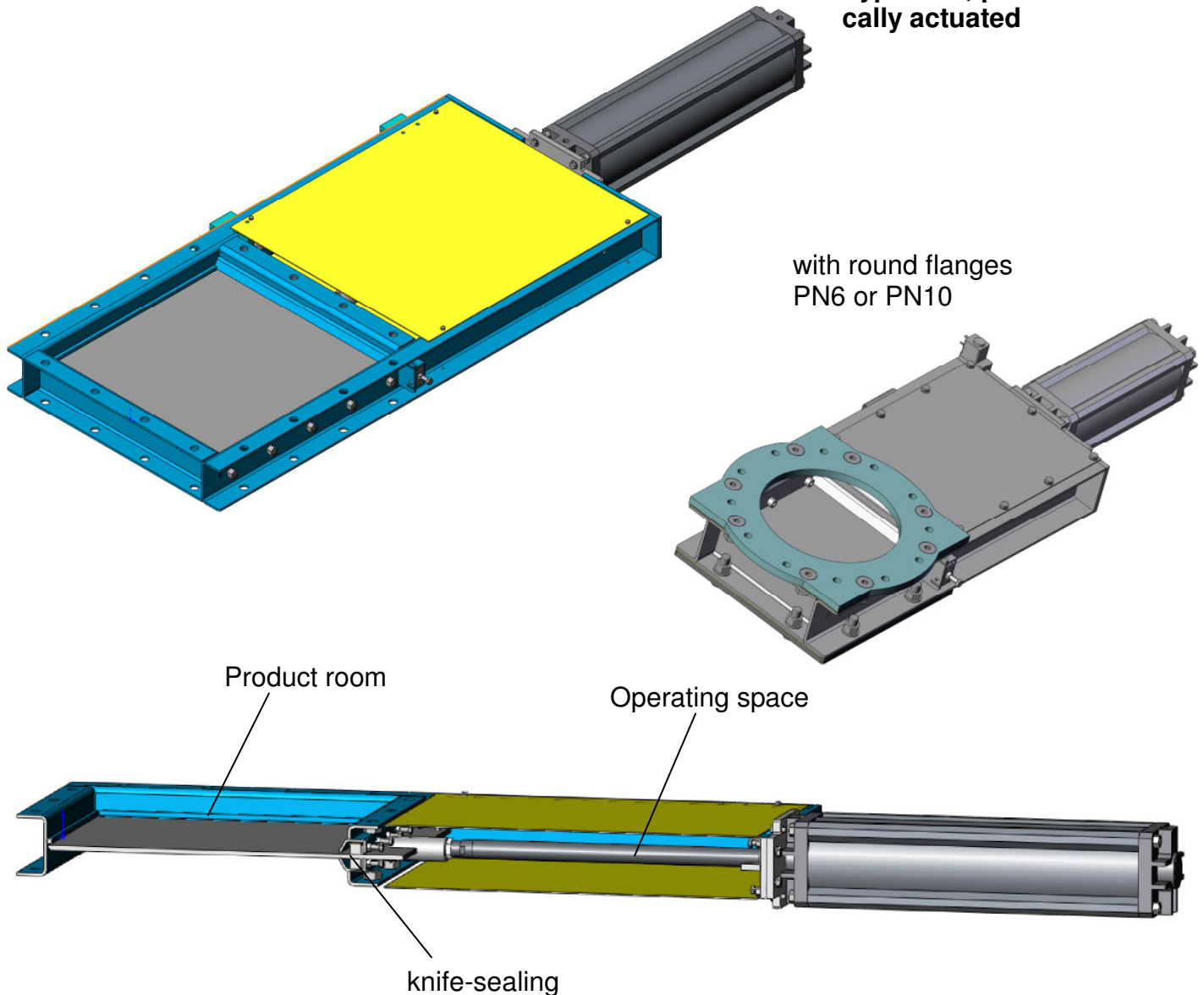
Types FSH, FSP, FSE



Dustproof locking of powdery to granular bulk solids, with varying flange dimensions, as an emergency slide, e.g. for maintenance, and as an operating slide, measurement fabrication

Type FSP, pneumatically actuated

with round flanges
PN6 or PN10



Advantages:

- **Stable, sturdy design**
- **Less installation height: 100 or 140 mm**
- **Adjustable seal of the slide plate passage**
- **Easy-to-maintain due to the easily accessible operating space (removable cover)**

S.S.T.-Schüttguttechnik Maschinenbau GmbH
Lechwiesenstr. 21, 86899 Landsberg / Lech
Tel. 0049 (0)8191-3359-50 / Fax 0049 (0)8191-3359-55
E-mail SST@solids-service.de www.solids.de

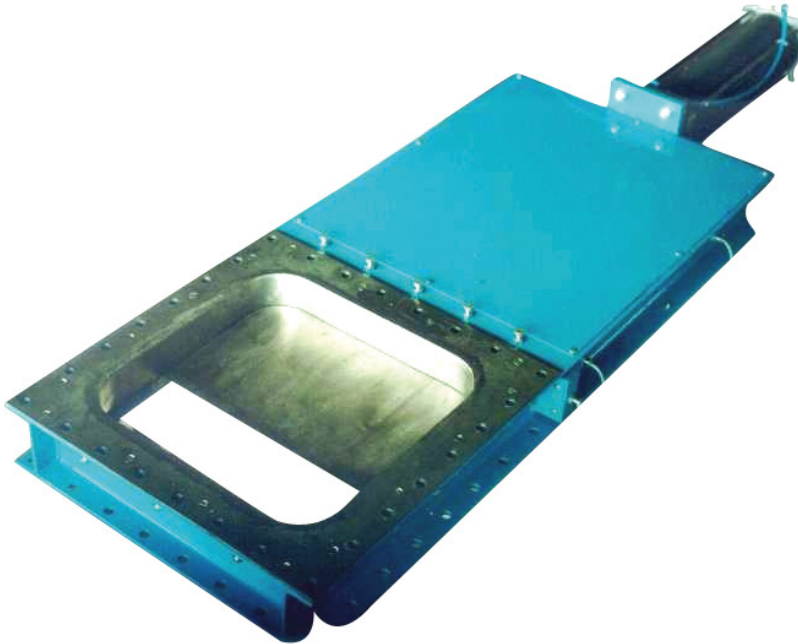


solids Slide Gate

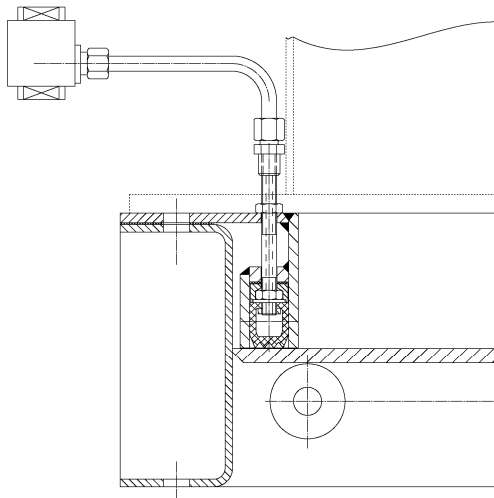
Types FSH, FSP, FSE



Pressure-tight version, with a pneumatically inflatable sealing



Detail: pneumatically inflatable sealing



Characteristics:

- Pressure-tight up to 3 bar
- Any cross-section is possible
- Fail-safe due to a built-in control with pneumatic complete installation
- Carbon steel and stainless steel available
- Option: gastight to the outside

S.S.T.-Schüttguttechnik Maschinenbau GmbH
Lechwiesenstr. 21, 86899 Landsberg / Lech
Tel. 0049 (0)8191-3359-50 / Fax 0049 (0)8191-3359-55
E-mail SST@solids-service.de www.solids.de



solids Slide Gate

Types FSH, FSP, FSE



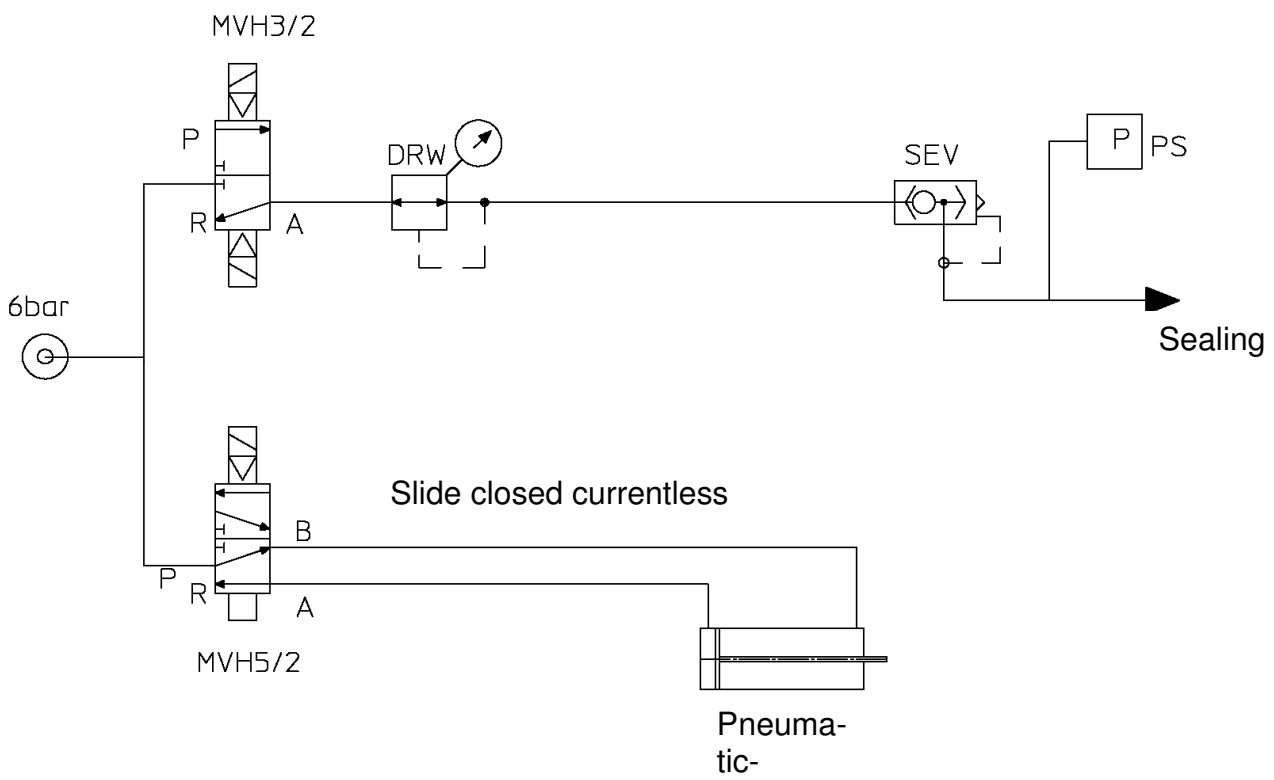
Assembly and function:

The slide gate is used for dustproof and pressure-tight shutting of the outlets of bulk solids hoppers.

The slide plate is moved horizontally using a pneumatic cylinder.

After moving the slide plate to the closing position, the pneumatically pressable gasket is actuated to achieve pressure-tightness.

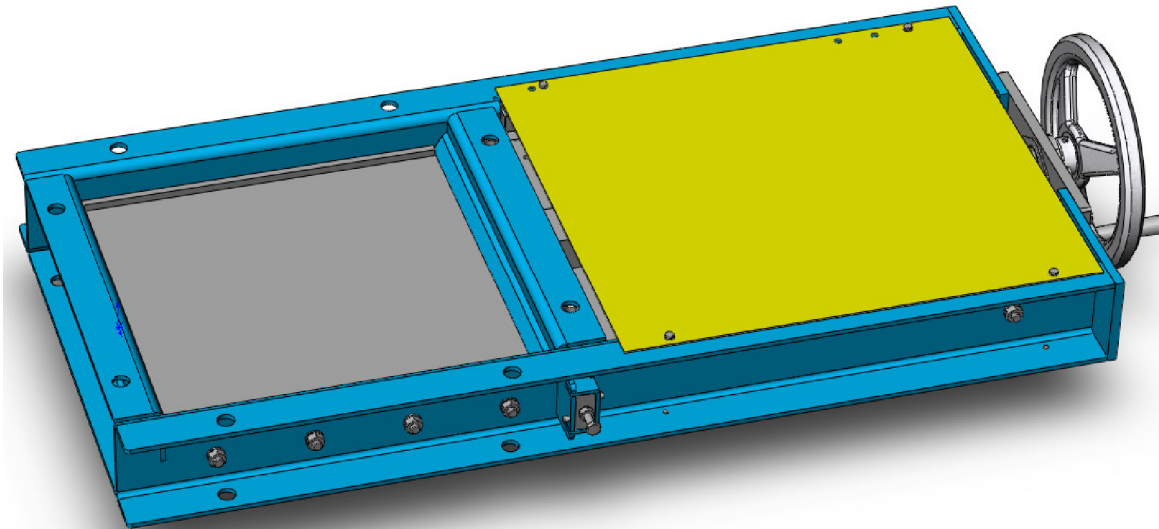
The slide passage is sealed using adjustable packing glands.



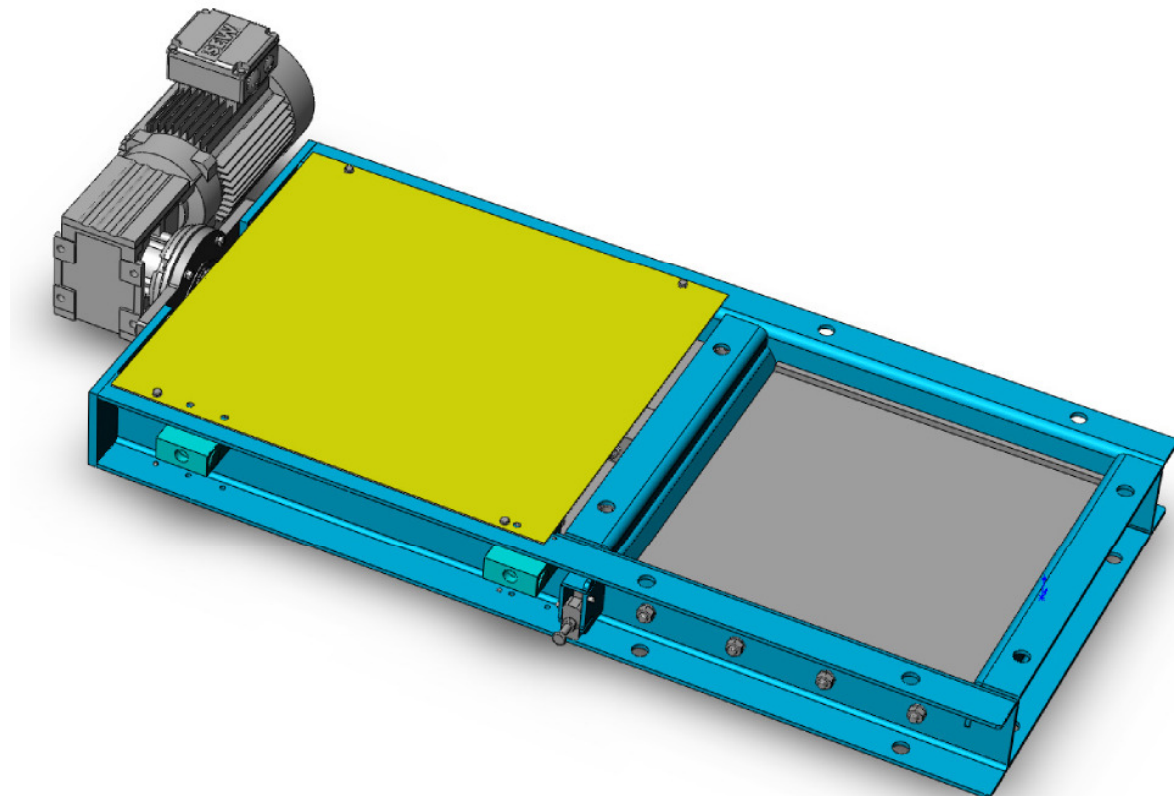
solids Slide Gate
Types FSH, FSP, FSE



Slide gate, type FSH, manually operated



Slide gate, type FSE, electrically actuated



S.S.T.-Schüttguttechnik Maschinenbau GmbH
Lechwiesenstr. 21, 86899 Landsberg / Lech
Tel. 0049 (0)8191-3359-50 / Fax 0049 (0)8191-3359-55
E-mail SST@solids-service.de www.solids.de

